

### Overview

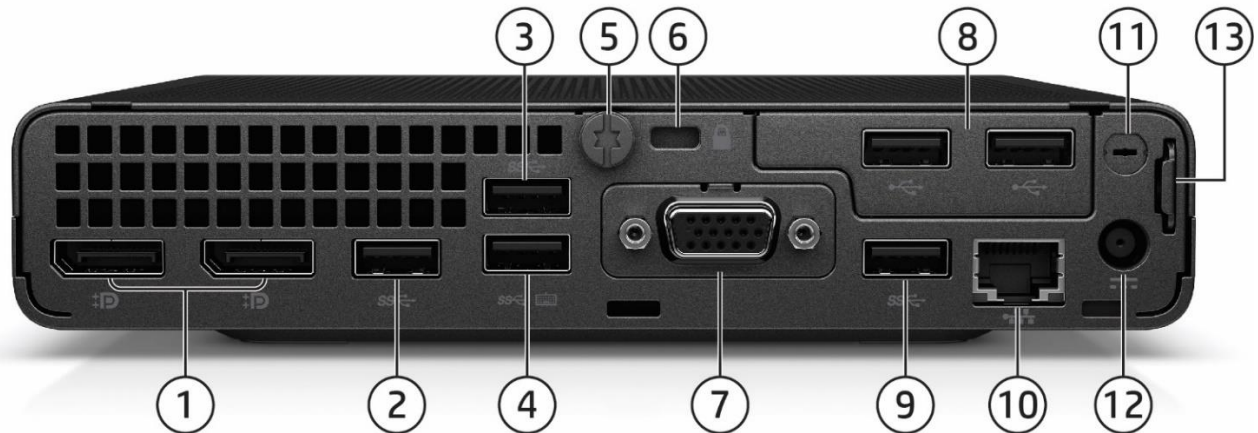
#### HP EliteDesk 800 G8 Desktop Mini PC



1. Type-C® SuperSpeed USB 20Gbps signaling rate port (charge support up to 5V/3A)
2. Type-A SuperSpeed USB 10Gbps signaling rate port
3. Type-A SuperSpeed USB 5Gbps signaling rate port (charge support up to 5V/1.5A)
4. Combo Audio Jack with CTIA and OMTP headset support
5. Dual-state power button
6. Hard drive activity light

### Overview

### HP EliteDesk 800 G8 Desktop Mini PC



1. (2) Dual-Mode DisplayPort™ 1.4 (DP++)
2. Type-A SuperSpeed USB 5Gbps signaling rate port
3. Type-A SuperSpeed USB 5Gbps signaling rate port (Supporting wake from S4/S5 with keyboard/mouse connected and enabled in BIOS)
4. Type-A SuperSpeed USB 10Gbps signaling rate port (Supporting wake from S4/S5 with keyboard/mouse connected and enabled in BIOS)
5. Cover release thumbscrew
6. Standard cable lock slot (10 mm)
7. (1) Flex Port 1, choice of:
  - HDMI 2.0b
  - VGA
  - DisplayPort™ 1.4
  - Fiber NIC (100Mbps and 1Gbps)<sup>1</sup>
  - Serial<sup>2</sup>
  - Thunderbolt 3<sup>1</sup>
  - Type-C™ SuperSpeed USB 10Gbps signaling rate port w/ DisplayPort™ Alt Mode and 100W Power Intake
  - Intel® I225-LM 2.5 Gigabit Network Connection LOM (non-vPro)
  - Dual Type A SuperSpeed USB 5Gbps signaling rate port
8. (1) Flex Port 2, choice of:
  - VR Ready NVIDIA GTX 1660 Ti discrete GPU
  - Dual Type-A Hi-Speed USB 480Mbps signaling rate port
  - Serial
  - Second external antenna
9. Type-A SuperSpeed USB 10Gbps signaling rate port
10. RJ45 network connector
11. External WLAN antenna opening
12. Power connector
13. Retractable Padlock loop

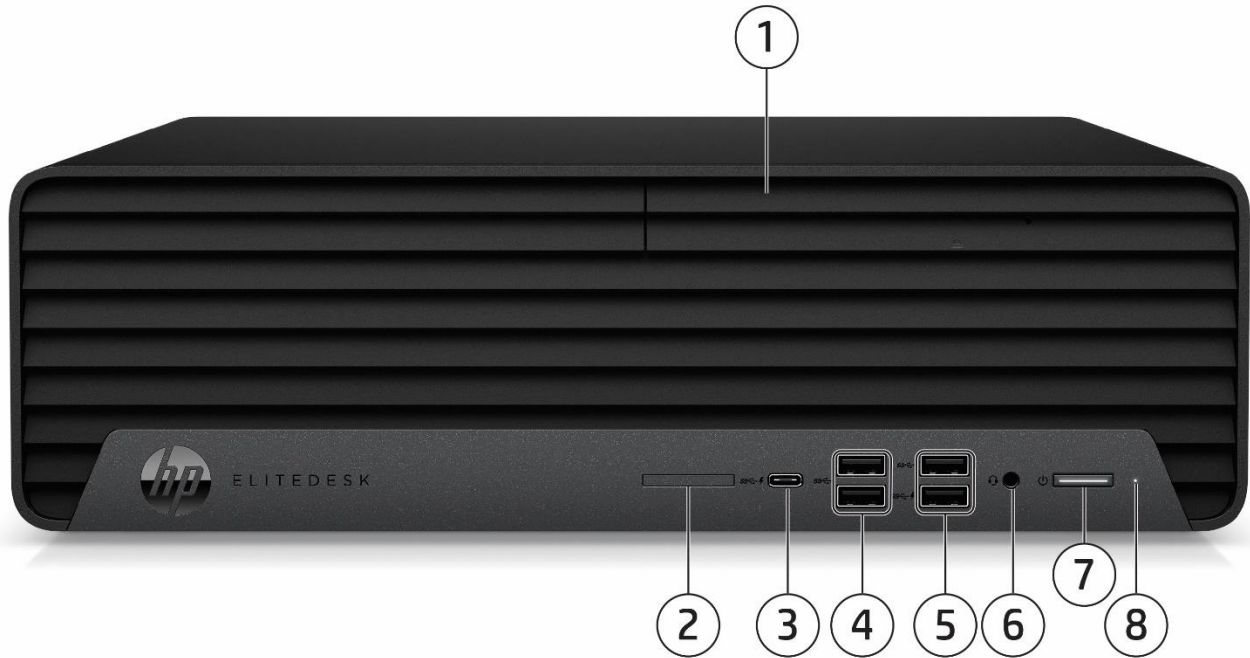
#### Not Shown

- Slots** (1) Internal M.2 2230 connector for WLAN  
(2) Internal M.2 SSD storage 2280 connector
- Bays** (1) 2.5- inch SATA drive Bay (not available on discrete graphics sku)
- Mounting** Support for
- VESA Sleeve Standalone
  - Quick Release Bracket
  - B300/B500 Mounting bracket
  - Integrated Work Center Stand

1. Fiber NIC (100Mbps and 1Gbps) cards would not be available in some selected Europe countries and Korea.  
2. Sold separately or as an optional feature.

### Overview

#### HP EliteDesk 800 G8 Small Form Factor PC



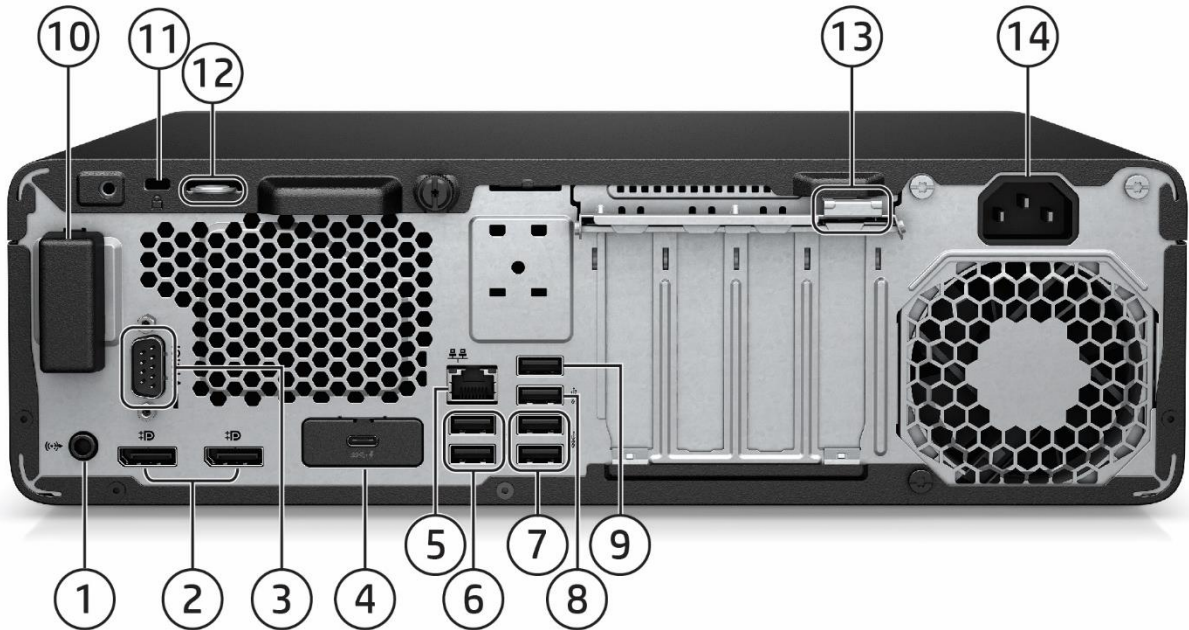
1. Slim optical drive (optional)
2. SD 4 Card Reader (optional)
3. Type-C® SuperSpeed USB 20Gbps signaling rate port (charge support up to 5V/3A)
4. (2) Type A SuperSpeed USB 10Gbps signaling rate port
5. (2) Type A SuperSpeed USB 5Gbps signaling rate port (1 with charge support up to 5V/1.5A)
6. Combo Audio Jack with CTIA and OMTP headset support
7. Dual-state power button
8. Hard drive activity light

#### **Not Shown**

- (2) PCI Express x16 graphics connectors (one wired as x4)
- (2) PCI Express x1
- (3) M.2 (1 as M.2 2230 socket for WLAN/BT and 2 as M.2 2280 socket for storage)

### Overview

### HP EliteDesk 800 G8 Small Form Factor PC



- |  |   |
|--|---|
| <ol style="list-style-type: none"> <li>1. Audio line-out connector</li> <li>2. (2) Dual-Mode DisplayPort™ 1.4a (DP++)</li> <li>3. Optional Serial port (shown here installed)</li> <li>4. Optional port, choice of (shown here USB-C® installed): <ul style="list-style-type: none"> <li>• DisplayPort™</li> <li>• Serial</li> <li>• HDMI 2.0b</li> <li>• Dual Type-A SuperSpeed USB 5Gbps signaling rate port</li> <li>• VGA</li> <li>• USB-C® SuperSpeed 10Gbps signaling rate port (Alt Mode DP 1.4 with 15W output)</li> </ul> </li> <li>5. RJ45 network connector</li> <li>6. (2) Type A Hi-Speed USB 480 Mbps signaling rate port with wake from S4/S5</li> <li>7. (2) Type A SuperSpeed USB 10Gbps signaling rate port</li> </ol> | <ol style="list-style-type: none"> <li>8. (1) Type A SuperSpeed USB 5Gbps signaling rate port</li> <li>9. (1) Type A Hi-Speed USB 480 Mbps signaling rate port</li> <li>10. Internal WLAN antenna cover (optional, shown here not installed)</li> <li>11. Standard cable lock slot</li> <li>12. Intrusion sensor/hood lock (optional, shown here not installed)</li> <li>13. Integrated keyboard/mouse wire hoop</li> <li>14. Power cord connector</li> </ol> |
|--|---|

#### **Not shown**

#### **Optional Ports**

Thunderbolt™ 3 port card<sup>1</sup>

PS/2 & serial port card (connected to the mainboard via a flyer cable)<sup>1</sup>

Parallel port<sup>1</sup>

1. Each of the legacy port options would occupy one rear slot.

#### **Bays**

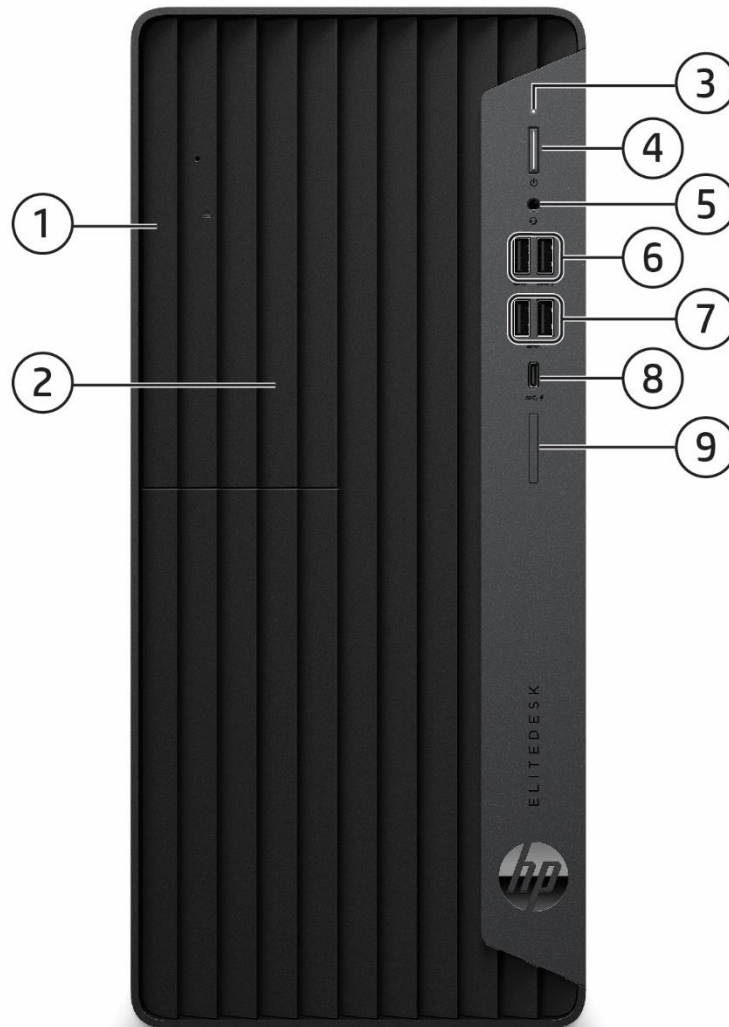
(1) 2.5" internal storage drive bay

(2) 3.5" internal storage drive bay (convertible to 2.5" with Caddy)

(1) 9.5 mm slim optical drive bay

### Overview

#### HP EliteDesk 800 G8 Tower PC



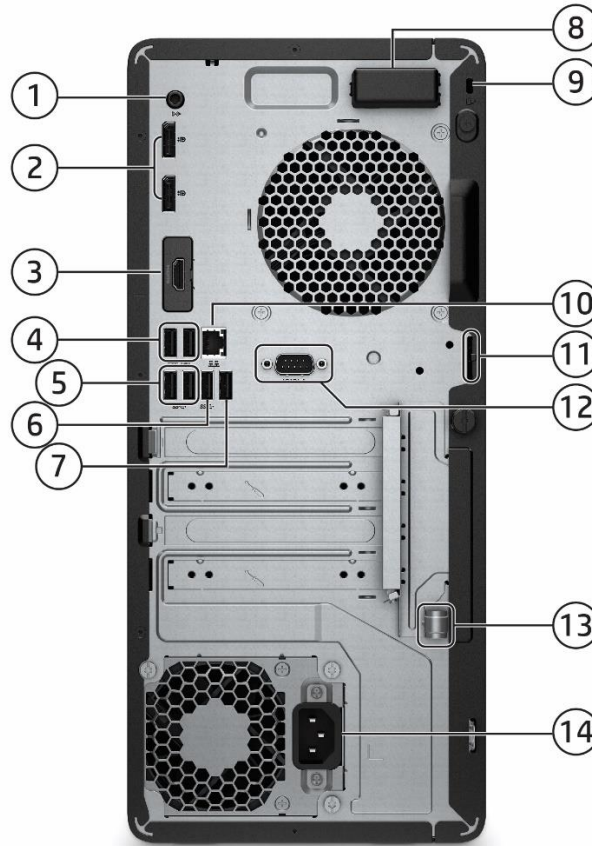
- |  |  |
|--|--|
| 1. Slim optical drive (optional)                       | 6. (2) Type-A SuperSpeed USB 10Gbps signaling rate port                                      |
| 2. External 5.25-inch Half-Height Drive Bay (optional) | 7. (2) Type A SuperSpeed USB 5Gbps signaling rate port (1 with charge support up to 5V/1.5A) |
| 3. Hard drive activity light                           | 8. Type-C® SuperSpeed USB 20Gbps signaling rate port (charge support up to 5V/3A)            |
| 4. Dual-state power button                             | 9. SD card 4.0 reader (optional)   |
| 5. Combo Audio Jack with CTIA and OMTP headset support |  |

#### **Not Shown** **Slots**

- (2) PCI Express x16 graphics connectors (one wired as x4)
- (3) M.2 (1 as M.2 2230 socket for WLAN/BT and 2 as M.2 2280 socket for storage)

### Overview

#### HP EliteDesk 800 G8 Tower PC



- |  |  |
|--|--|
| <ol style="list-style-type: none"> <li>1. Audio line-out jack connector</li> <li>2. (2) Dual-Mode DisplayPort™ 1.4 (DP++)</li> <li>3. Flex port, choice of (shown here HDMI installed):             <ul style="list-style-type: none"> <li>• DisplayPort™ 1.4</li> <li>• HDMI 2.0b</li> <li>• VGA</li> </ul> </li> <li>4. (2) Type A Hi-Speed USB 480 Mbps signaling rate port with wake from S4/S5</li> </ol> | <ol style="list-style-type: none"> <li>5. (2) Type A SuperSpeed USB 10Gbps signaling rate port</li> <li>6. (1) Type A SuperSpeed USB 5Gbps signaling rate port</li> <li>7. (1) Type A Hi-Speed USB 480 Mbps signaling rate port</li> <li>8. Internal WLAN antenna (optional, shown here installed)</li> <li>9. Standard cable lock slot</li> <li>10. RJ-45 (network) jack</li> <li>11. Intrusion sensor/hood lock (optional, shown here not installed)</li> <li>12. Serial port (optional, shown here not installed)</li> <li>13. Integrated keyboard/mouse wire hoop</li> <li>14. Power cord connector</li> </ol> |
|--|--|

#### Not shown

##### Optional ports

Thunderbolt™ 3 card<sup>1</sup>

PS/2 & serial port card (connected to mainboard via a flyer cable)<sup>1</sup>

Parallel Port<sup>1</sup>

1. Each of the legacy options will occupy one rear slot.

##### Bays

(1) 2.5" internal storage drive bay

(2) 3.5" internal storage drive bay (convertible to 2.5")

(1) 5.25" half-height drive bay

(1) 9.5mm slim optical drive bay

### Overview

### HP EliteOne 800 G8 24 & 27 All-in-One PC Touch/Non-Touch



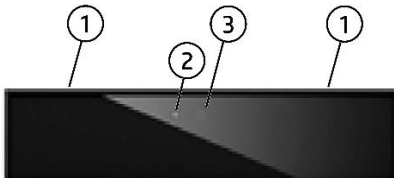
1. Camera (optional)

2. Speakers (optional)

### Overview

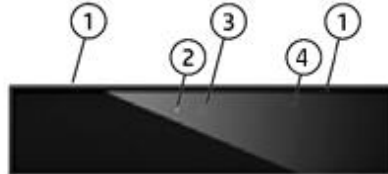
### HP EliteOne 800 G8 24 & 27 All-in-One PC Touch/Non-Touch

#### 5MP Pop-up Webcam (optional)



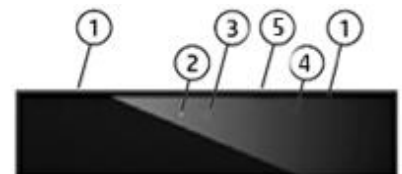
1. Dual Microphones
2. Webcam Light
3. 5MP Webcam

#### 5MP Pop-up Webcam +IR Sensor (optional)



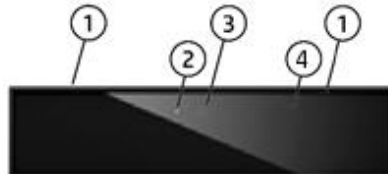
1. Dual Microphones
2. Webcam Light
3. IR/5MP Webcam
4. IR Light

#### 5MP Pop-up Webcam +IR Sensor + Time of Flight Sensor (TOF) (optional)



1. Dual Microphones
2. Webcam Light
3. IR/5MP Webcam
4. IR Light
5. TOF Sensor

#### Dual Facing 5MP Pop-up Webcam +IR Sensor (optional)



1. Dual Microphones
2. Webcam Light
3. IR/5MP Webcam
4. IR Light



### Overview

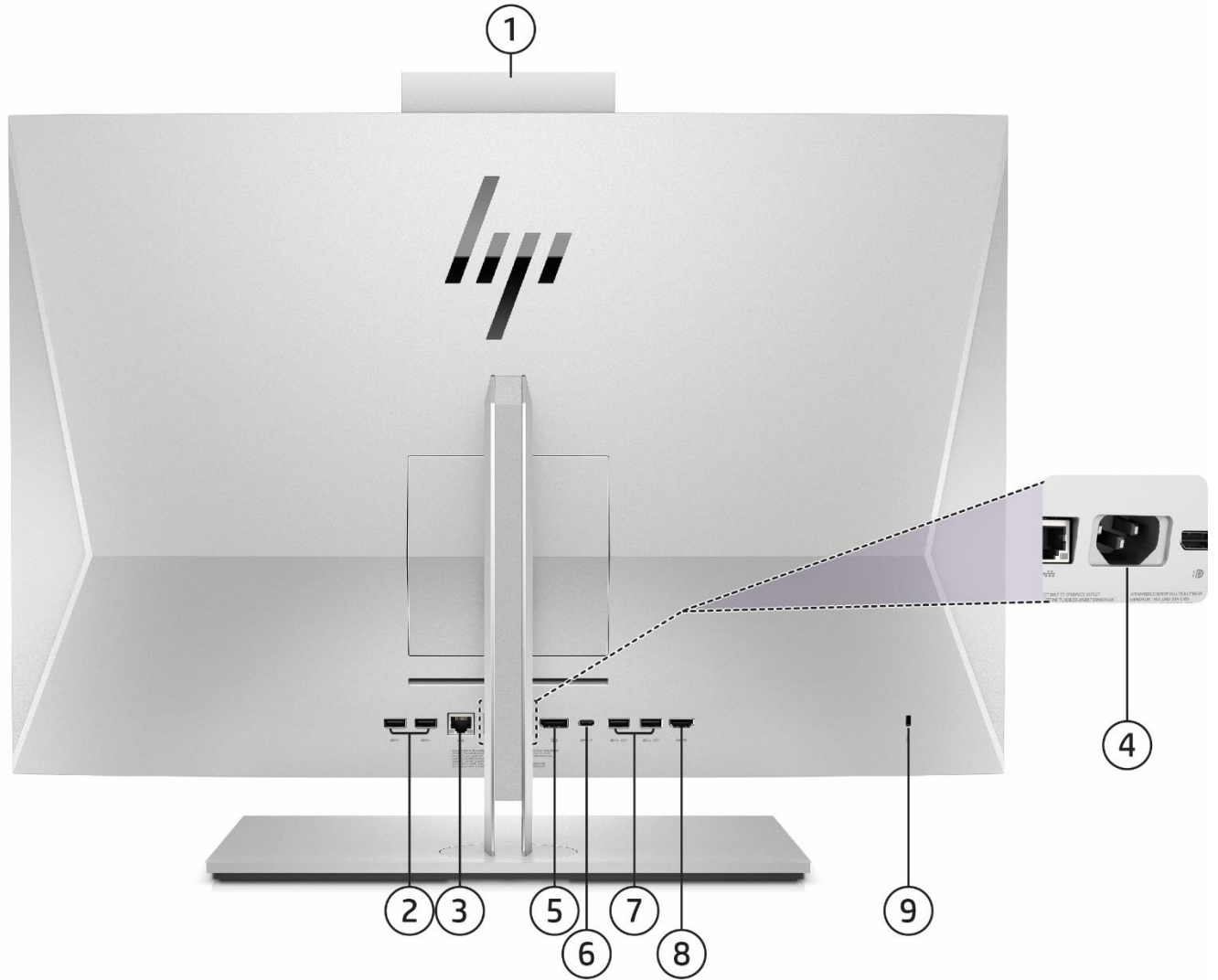
#### HP EliteOne 800 G8 24 & 27 All-in-One PC Touch/Non-Touch



1. Type-A SuperSpeed USB 10Gbps signaling rate port (charge support up to 5V/3A)
2. Type-C® SuperSpeed USB 10Gbps signaling rate port (charge support up to (5V/3A)
3. Combo Audio Jack with CTIA and OMTP headset Support

### Overview

#### HP EliteOne 800 G8 24 & 27 All-in-One PC Touch/Non-Touch

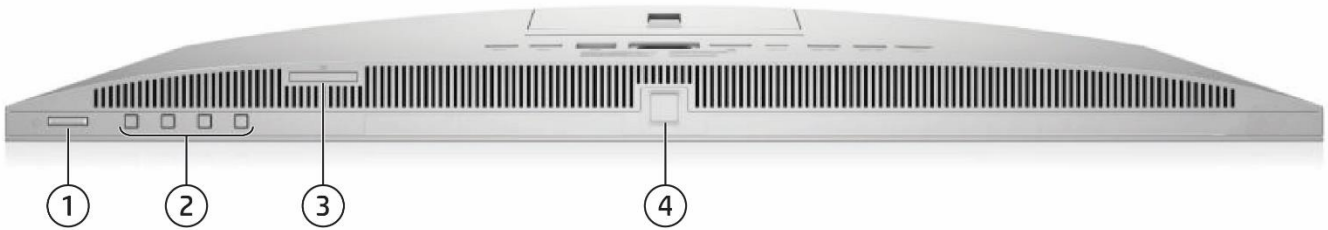


#### Rear components and rear ports

1. Camera (optional)
2. Type-A SuperSpeed USB 10Gbps signaling rate port (x2)
3. RJ-45 network connector/jack
4. Power Connector
5. Dual-Mode DisplayPort™1.4 (DP++)
6. Type-C® SuperSpeed USB 10Gbps signaling rate port (charge support up to (5V/3A)
7. Type-A SuperSpeed USB 5Gbps signaling rate port (x2)
8. HDMI-in 2.0a connector
9. Standard cable lock slot

### Overview

### HP EliteOne 800 G8 24 & 27 All-in-One PC Touch/Non-Touch



1. Dual-State Power button
2. OSD control buttons
3. SD card reader 4.0 (optional)

#### Bottom

3. SD card reader 4.0 (optional)
4. Fingerprint Sensor (optional)

#### Slots

- (1) internal M.2 PCIe x1 connector for optional wireless NIC
- (2) internal M.2 PCIe x4 connector for optional m.2 SSD

#### Not shown

#### VESA

Support for VESA 100 mounting system on back of PC chassis (mounting hardware sold separately)

## Features

**AT A GLANCE**

- Choice of four form factors: Tower, Small Form Factor, Desktop Mini and All-In-One
- HP developed and engineered UEFI V2.7 BIOS supporting security, manageability and software image stability
- Intel® Q570 chipset supporting Intel® 11<sup>th</sup> generation Core™ processors, featuring integrated Intel® UHD Graphics and Intel® vPro® Technology (available with Core i5-11500 and above processors) <sup>1,2</sup>
- Support for three (3) M.2 Storage slots (All-in-One)
- Intel® Optane™ Memory H10 with Solid State Storage
- Intel® UHD graphics with optional discrete graphics configure systems to up to 7 monitors (TWR, SFF and DM 35W Processors only)
- Intel® Ethernet Connection I219LM GbE LOM integrated network connection
- Intel® Wi-Fi 6 + BT5.1 (802.11AX 2x2)
- DDR4 Synchronous Dynamic Random Access Memory (SDRAM) (Transfer rates up to 3200 MT/s)
- Support for up to 7 monitors via two standard DisplayPort™ 1.4 ports, a configurable Flex I/O port for video options and a discrete graphics card on TWRs, SFFs and DMs. All-in-One supports up to two additional monitors via DisplayPort™ or Type-C® USB in alternate mode.
- Configurable FlexPort which provides the following choices: HDMI 2.0b, Serial, VGA, DisplayPort™ 1.4, or USB Type-C® with DisplayPort™ 1.4 (USB Type-C® with DisplayPort™ 1.4 with Power Delivery [PD] on DMs), Thunderbolt 3 (PCIe card on TWR, SFF), Thunderbolt 3 with USB4.0 (port on DM and will be ready in post launch), and Dual USB Type-A for (TWRs, SFFs and DMs). See Ports section for port availability by platform. FlexPort not supported on All-in-One.
- 2<sup>nd</sup> FlexPort available for configuration on the HP EliteDesk G8 Desktop Minis with the following ports: mini-DisplayPorts and micro-HDMI (when configured with discrete graphic card), Serial, Dual USB Type-A, and 2<sup>nd</sup> external antenna.
- Configurable NVIDIA® GeForce® VR ready discrete graphics card with (3) mini-DisplayPorts and (1) micro-HDMI video port for DM<sup>3</sup> to support up to (7) monitors with minimum 4K resolution and option to connect up to (3) monitors with 5K resolution via graphics card.
- Configurable AMD® Radeon, NVIDIA® GeForce® and NVIDIA® Quadro® VR ready discrete graphics on TWR <sup>3</sup>
- Compatibility with HP Mini-In-One 24 Display (800 G8 DM with 100W USB-C +PD option card)
- Compatible with HP Reverb G2 VR Headset (TWR, DM)
- Models can be configured with multiple data drives in a RAID array
- Audio by Bang & Olufsen (All-in-One)
- Integrated Low Blue Light Panels on All-in-One (excludes 23.8" Touch Models)
- Enhanced Security with HP Security Suite (Refer to Security Section for details)
- ENERGY STAR® certified. EPEAT® 2019 registered where applicable. Based on US EPEAT® registration according to IEEE 1680.1-2018 EPEAT®. EPEAT® status varies by country. Visit <http://www.epeat.net> for more information.
- CCC, CECP and SEPA Certified (TWR/SFF/DM/All-in-One)
- TCO Edge for All-in-One
- TCO (TWR/SFF/DM)
- PC chassis and all internal components and modules are manufactured with low halogen content<sup>4</sup>
- Dust filter available for following platforms (DM with 35W processor, SFFs and TWR)
- Protected by HP Services, including limited warranties up to 3-3-3 (terms and conditions vary by country; certain restrictions and exclusions apply); Care Packs available with up to 5 years Next Business Day Onsite Hardware Support
- Compliance with CE (Class B) / FCC (Class B) / UL (UL60950-1 /UL62368-1) / CSA (CSA C22.2 No.60950-1-07 / CSA C22.2 No. 62368-1-14) / ICES-003 / CCC / VCCI (Class B) / KCC (Class B)

1. Multi core is designed to improve performance of certain software products. Not all customers or software applications will necessarily benefit from use of this technology. Performance and clock frequency will vary depending on application workload and your hardware and software configurations. Intel's numbering, branding and/or naming is not a measurement of higher performance.

2. Some functionality of vPro technology, such as Intel Active management technology and Intel Virtualization technology, requires additional 3<sup>rd</sup> party software in order to run. Availability of future "virtual appliances" applications for Intel vPro technology is dependent on 3<sup>rd</sup> party software providers. Compatibility of this generation of Intel vPro technology-based hardware with future "virtual appliances" is yet to be determined.

3. VR-ready as optional feature, specific configuration to support: 800 TWR: Nvidia GeForce 3070 card; 800 DM: Nvidia GTX 1660Ti card.

4. External power supplies, power cords, cables and peripherals are not low halogen. Service parts obtained after purchase may not be low halogen.

### Features

**NOTE: See important legal disclosures for all listed specs in their respective feature sections**

#### PRODUCT NAME

- HP EliteDesk 800 G8 Tower PC
- HP EliteDesk 800 G8 Small Form Factor PC
- HP EliteDesk 800 G8 Desktop Mini PC
- HP EliteOne 800 G8 24 All-in-One PC
- HP EliteOne 800 G8 27 All-in-One PC

#### OPERATING SYSTEM

|                           |   |
|---------------------------|---|
| <b>Preinstalled</b>       | <ul style="list-style-type: none"> <li>Windows 11 Pro<sup>1</sup></li> <li>Windows 11 Pro Education<sup>1</sup></li> <li>Windows 11 Home - HP recommends Windows 11 Pro for business<sup>1</sup></li> <li>Windows 11 Home Single Language - HP recommends Windows 11 Pro for business<sup>1</sup></li> <li>Windows 11 Pro (Windows 11 Enterprise available with a Volume Licensing Agreement)<sup>1</sup></li> <li>Windows 10 Pro<sup>1,2</sup></li> <li>Windows 10 Pro Education<sup>1,2</sup></li> <li>Windows 10 Home - HP recommends Windows 11 Pro for business<sup>1,2</sup></li> <li>Windows 10 Home Single Language - HP recommends Windows 11 Pro for business<sup>1,2</sup></li> <li>FreeDOS</li> </ul> |
| <b>Web-supported only</b> | <ul style="list-style-type: none"> <li>Windows 10 Pro (Windows 10 Enterprise available with a Volume Licensing Agreement)<sup>1,3</sup></li> </ul>  |

1. Device comes with Windows 10 and a free Windows 11 upgrade or may be preloaded with Windows 11. Upgrade timing may vary by device. Features and app availability may vary by region. Certain features require specific hardware (see Windows 11 Specifications).

2. Not all features are available in all editions or versions of Windows. Systems may require upgraded and/or separately purchased hardware, drivers, software or BIOS update to take full advantage of Windows functionality. Windows is automatically updated and enabled. High speed internet and Microsoft account required. ISP fees apply and additional requirements may apply over time for updates.

See <http://www.windows.com>.

3. This system is preinstalled with Windows 10 Pro software and also comes with a license for Windows 11 Pro software and provision for recovery software. You may only use one version of the Windows software at a time. Switching between versions will require you to uninstall one version and install the other version. You must back up all data (files, photos, etc.) before uninstalling and installing operating systems to avoid loss of your data.

**NOTE:** HP tested Windows 10, version 1909 on this platform. For testing information on newer versions of Windows 10, please see <https://support.hp.com/document/c05195282>.

#### CHIPSET

|             | <b>DM</b> | <b>SFF</b> | <b>TWR</b> | <b>AiO</b> |
|-------------|-----------|------------|------------|------------|
| Intel® Q570 | <b>X</b>  | <b>X</b>   | <b>X</b>   | <b>X</b>   |

### Features

#### PROCESSORS

| <b>Intel® 11<sup>th</sup> Generation Core™ Processors</b>  | <b><u>DM</u></b> | <b><u>SFF</u></b> | <b><u>TWR</u></b> | <b><u>AiO</u></b> |
|--|------------------|-------------------|-------------------|-------------------|
| Intel® Core™ i9-11900 Processor with Intel® UHD Graphics 750 (2.5GHz, up to 5.2 GHz with Intel® Turbo Boost Technology <sup>1</sup> , 16MB cache, 8 cores) 65W <sup>2,3</sup><br>Supports Intel® vPro® Technology <sup>4</sup>   |                  | <b>X</b>          | <b>X</b>          | <b>X</b>          |
| Intel® Core™ i9-11900T Processor with Intel® UHD Graphics 750 (1.5GHz, up to 4.9GHz with Intel® Turbo Boost Technology <sup>1</sup> , 16MB cache, 8 cores) 35W <sup>2,3</sup><br>Supports Intel® vPro® Technology <sup>4</sup>   | <b>X</b>         |                   |                   |                   |
| Intel® Core™ i7-11700 processor with Intel® UHD Graphics 750 (2.5 GHz, up to 4.9 GHz with Intel® Turbo Boost Technology <sup>1</sup> , 16 MB cache, 8 cores) 65W <sup>2,3</sup><br>Supports Intel® vPro® Technology <sup>4</sup> | <b>X</b>         | <b>X</b>          | <b>X</b>          | <b>X</b>          |
| Intel® Core™ i7-11700T Processor with Intel® UHD Graphics 750 (1.4 GHz, up to 4.6 GHz with Intel® Turbo Boost Technology <sup>1</sup> , 16MB cache, 8 cores) 35W <sup>2,3</sup><br>Supports Intel® vPro® Technology <sup>4</sup> | <b>X</b>         |                   |                   |                   |
| Intel® Core™ i5-11600 processor with Intel® UHD Graphics 750 (2.8 GHz, up to 4.8 GHz with Intel Turbo Boost Technology <sup>1</sup> , 12 MB cache, 6 cores) 65W <sup>2,3</sup><br>Supports Intel® vPro® Technology <sup>4</sup>  | <b>X</b>         | <b>X</b>          | <b>X</b>          | <b>X</b>          |
| Intel® Core™ i5-11600T processor with Intel® UHD Graphics 750 (1.7GHz, up to 4.1 GHz with Intel Turbo Boost Technology <sup>1</sup> , 12 MB cache, 6 cores) 35W <sup>2,3</sup><br>Supports Intel® vPro® Technology <sup>4</sup>  | <b>X</b>         |                   |                   |                   |
| Intel® Core™ i5-11500 processor with Intel® UHD Graphics 750 (2.7GHz, up to 4.6 GHz with Intel Turbo Boost Technology <sup>1</sup> , 12 MB cache, 6 cores) 65W <sup>2,3</sup><br>Supports Intel® vPro® Technology <sup>4</sup>   | <b>X</b>         | <b>X</b>          | <b>X</b>          | <b>X</b>          |
| Intel® Core™ i5-11500T processor with Intel® UHD Graphics 750 (1.5GHz, up to 3.9 GHz with Intel Turbo Boost Technology <sup>1</sup> , 12 MB cache, 6 cores) 35W <sup>2,3</sup><br>Supports Intel® vPro® Technology <sup>4</sup>  | <b>X</b>         |                   |                   |                   |
| Intel® Core™ i5-11400 processor with Intel® UHD Graphics 730 (2.6 GHz, up to 4.4 GHz with Intel Turbo Boost Technology <sup>1</sup> , 12 MB cache, 6 cores) 65W <sup>2,3</sup>   | <b>X</b>         | <b>X</b>          | <b>X</b>          | <b>X</b>          |
| Intel® Core™ i5-11400T processor with Intel® UHD Graphics 730 (1.3GHz, up to 3.7 GHz with Intel Turbo Boost Technology <sup>1</sup> , 12 MB cache, 6 cores) 35W <sup>2,3</sup>   | <b>X</b>         |                   |                   |                   |

1. Intel® Turbo Boost technology requires a PC with a processor with Intel Turbo Boost capability. Intel Turbo Boost performance varies depending on hardware, software and overall system. See <http://www.intel.com/technology/turboboost> for more information.

2. Multi-core is designed to improve performance of certain software products. Not all customers or software applications will necessarily benefit from use of this technology. Performance and clock frequency will vary depending on application workload and your hardware and software configurations. Intel's numbering, branding and/or naming is not a configuration measurement of higher performance.

3. Intel® Optane™ memory system acceleration does not replace or increase the DRAM in your system.

4. For full Intel® vPro® functionality, Windows 10 Pro 64 bit, a vPro supported processor, vPro enabled chipset, vPro enabled wired LAN and/or WLAN card and TPM 2.0 are required. Some functionality requires additional 3rd party software in order to run. See <http://intel.com/vpro>.

### Features

#### GRAPHICS

##### Integrated Intel® Graphics

|  | <u>DM</u> | <u>SFF</u> | <u>TWR</u> | <u>AiO</u> |
|--|-----------|------------|------------|------------|
| Intel® UHD Graphics 750 (integrated in 11 <sup>th</sup> gen Core i9/i7/i5-11500 and above) | X         | X          | X          | X          |
| Intel® UHD Graphics 730 (integrated in 11 <sup>th</sup> gen Core i5-11400 & i5-11400T)     | X         | X          | X          | X          |

##### Optional Discrete Graphics Solutions

|   | <u>DM</u> | <u>SFF</u> | <u>TWR</u> | <u>AiO</u> |
|---|-----------|------------|------------|------------|
| NVIDIA® GeForce® RTX 3070 8GB FH 3DP+HDMI Graphics Card LHR <sup>1</sup>  |           |            | X          |            |
| NVIDIA® Quadro P2200 5GB 4DP Graphics Card                                |           |            | X          |            |
| NVIDIA® Quadro P1000 4GB 4mDP Graphics Card                               |           |            | X          |            |
| NVIDIA® Quadro P620 2GB 4mDP Graphics Card                                |           | X          | X          |            |
| NVIDIA® Quadro P400 2GB w/ 2mDP to DVI Graphics Card                      |           | X          | X          |            |
| NVIDIA® Quadro P400 2GB w/ 2mDP to DP Graphics Card                       |           | X          | X          |            |
| NVIDIA® GeForce® GTX 1660Ti 6GB 1m HDMI, 3m DP Graphics Card <sup>2</sup> | X         |            |            |            |
| AMD® Radeon™ RX 5300 3GB NGC Graphics Card                                |           |            |            |            |
| AMD® Radeon™ RX 550X 4GB FH DP+HDMI Graphics Card <sup>1</sup>            |           | X          | X          |            |
| AMD® Radeon™ R7 430 2GB DP+VGA <sup>3</sup>                               |           | X          | X          |            |
| AMD® Radeon™ R7 430 2GB 2DP <sup>3</sup>                                  |           | X          | X          |            |

1. Requires 550W chassis. LHR 25 MH/s ETH hash rate (est.).

2. Only available on the Desktop Mini with a 35W Processor and supports (3) Mini DP 1.4 Ports and (1) Micro –HDMI 2.0 port in order to drive up to 7 displays directly on the Desktop Mini.

3. Not available in all regions.

**NOTE:** The TWR can support a single discrete graphics card up to 300W with a 550W Power Supply.

##### Adapters and Cables

|   | <u>DM</u> | <u>SFF</u> | <u>TWR</u> | <u>AiO</u> |
|---|-----------|------------|------------|------------|
| HP DisplayPort™ Cable                   | X         | X          | X          | X          |
| HP DisplayPort™ to DVI-D Adapter        | X         | X          | X          | X          |
| HP DisplayPort™ to HDMI True 4K Adapter | X         | X          | X          | X          |
| HP DisplayPort™ to VGA Adapter          | X         | X          | X          | X          |
| HP USB to Serial Port Adapter           | X         | X          | X          | X          |
| HP USB-C® to HDMI 4K Adapter            |           | X          | X          | X          |
| HP USB-C® to DisplayPort Adapter        |           |            |            | X          |
| HP DVI Cable                            |           |            |            | X          |
| HP HDMI Standard Cable Kit (HDMI)       |           |            |            | X          |
| 50cm USB-C Cable (100W power delivery)  | X         |            |            |            |

### Features

#### STORAGE

##### 3.5 inch SATA Hard Disk Drives (HDD)

|                              | <u>DM</u> | <u>SFF</u> | <u>TWR</u> | <u>AiO</u> |
|------------------------------|-----------|------------|------------|------------|
| 500GB 7200RPM 3.5in SATA HDD |           | X          | X          |            |
| 1TB 7200RPM 3.5in SATA HDD   |           | X          | X          |            |
| 2TB 7200RPM 3.5in SATA HDD   |           | X          | X          |            |

##### 2.5 inch SATA Hard Disk Drives (HDD)

|  | <u>DM</u> | <u>SFF</u> | <u>TWR</u> | <u>AiO</u> |
|--|-----------|------------|------------|------------|
| 500GB 7200RPM 2.5in SATA HDD   | X         | X          | X          |            |
| 1TB 7200RPM 2.5in SATA HDD   | X         | X          | X          |            |
| 2TB 5400RPM 2.5in SATA HDD   | X         | X          | X          |            |
| 500GB 7200RPM 2.5in Self Encrypted OPAL2 SATA HDD*                                   | X         | X          | X          |            |
| 500GB 7200RPM 2.5in Self Encrypted Federal Information Processing Standard SATA HDD* | X         | X          | X          |            |

\* Storage DriveLock does not work with Self Encrypting or Optane based storage

##### M.2 PCIe NVMe Solid State Drives (SSD)

|   | <u>DM</u> | <u>SFF</u> | <u>TWR</u> | <u>AiO</u> |
|---|-----------|------------|------------|------------|
| 256GB M.2 2280 PCIe NVMe SSD  | X         | X          | X          | X          |
| 512GB M.2 2280 PCIe NVMe SSD  | X         | X          | X          | X          |
| 128GB M.2 2280 PCIe NVMe Three Layer Cell SSD                       |           |            |            |            |
| 256GB M.2 2280 PCIe 3NVMe Three Layer Cell SSD                      | X         | X          | X          | X          |
| 256GB M.2 2280 PCIe 4NVMe Three Layer Cell SSD                      | X         | X          | X          | X          |
| 512GB M.2 2280 PCIe 3 NVMe Three Layer Cell SSD                     | X         | X          | X          | X          |
| 512GB M.2 2280 PCIe 4 NVMe Three Layer Cell SSD                     | X         | X          | X          | X          |
| 1TB M.2 2280 PCIe 3 NVMe Three Layer Cell SSD                       | X         | X          | X          | X          |
| 1TB M.2 2280 PCIe 4 NVMe Three Layer Cell SSD                       | X         | X          | X          | X          |
| 2TB M.2 2280 PCIe 3 NVMe Three Layer Cell SSD                       | X         | X          | X          | X          |
| 2TB M.2 2280 PCIe 4NVMe Three Layer Cell SSD                        | X         | X          | X          | X          |
| 256GB M.2 2280 PCIe NVMe Self Encrypted OPAL2 Three Layer Cell SSD* | X         | X          | X          | X          |
| 512GB M.2 2280 PCIe NVMe Self Encrypted OPAL2 Three Layer Cell SSD* | X         | X          | X          | X          |
| 256GB Intel® Optane™ Memory H10 with Solid State Storage**          | X         | X          | X          | X          |
| 512GB Intel® Optane™ Memory H10 with Solid State Storage**          | X         | X          | X          | X          |

**NOTE\*** Storage DriveLock does not work with Self Encrypting or Optane based storage.

**NOTE\*\*** Intel® Optane™ H10 memory system acceleration does not replace or increase the DRAM in your system. Requires 8th Gen or higher Intel® Core™ processor, BIOS version with Intel® Optane™ supported, Windows 10 64-bit, and an Intel® Rapid Storage Technology (Intel® RST) driver.



### Features

#### Optical Disc Drives

|   | <u>DM</u> | <u>SFF</u> | <u>TWR</u> | <u>AiO</u> |
|---|-----------|------------|------------|------------|
| HP 9.5mm Slim DVD-ROM Drive <sup>1</sup>    |           | X          | X          |            |
| HP 9.5mm Slim DVD Writer Drive <sup>1</sup> |           | X          | X          |            |

<sup>1</sup>. HD-DVD disks cannot be played on this drive. No support for DVD-RAM. Actual speeds may vary. Don't copy copyright-protected materials. Double Layer discs can store more data than single layer discs. Discs burned with this drive may not be compatible with many existing single-layer DVD drives and players.

#### Media Card Reader

|   | <u>DM</u> | <u>SFF</u> | <u>TWR</u> | <u>AiO</u> |
|---|-----------|------------|------------|------------|
| SD 4.0 with 5-in-1 Interface (Supports SD, SDXC, SDHC, UHS-I, UHS-II) |           | X          | X          | X          |

**NOTE:** For hard drives and solid state drives, GB = 1 billion bytes. TB = 1 trillion bytes. Actual formatted capacity is less. Up to 36 GB (for Windows 10) of system disk is reserved for the system recovery software.

### MEMORY

#### Memory Type

|  | <u>DM</u> | <u>SFF</u> | <u>TWR</u> | <u>AiO</u> |
|--|-----------|------------|------------|------------|
| DDR4-3200, 64 GB, 2 SODIMM                                 | X         |            |            | X          |
| DDR4-3200 (Transfer rates up to 3200 MT/s), 64 GB, 4 DIMM  |           | X          |            |            |
| DDR4-3200 (Transfer rates up to 2933 MT/s), 128 GB, 4 DIMM |           | X          | X          |            |

#### Memory Configuration

|                    | <u>DM</u> | <u>SFF</u> | <u>TWR</u> | <u>AiO</u> |
|--------------------|-----------|------------|------------|------------|
| 4 GB (1 x 4 GB)    | X         | X          | X          | X          |
| 8 GB (2 x 4 GB)    | X         | X          | X          | X          |
| 8 GB (1 x 8 GB)    | X         | X          | X          | X          |
| 16 GB (2 x 8 GB)   | X         | X          | X          | X          |
| 16 GB (1 x 16 GB)  | X         | X          | X          | X          |
| 32 GB (2 x 16 GB)  | X         | X          | X          | X          |
| 32 GB (1 x 32 GB)  | X         | X          | X          | X          |
| 64 GB (2 x 32 GB)  | X         | X          | X          | X          |
| 128 GB (4 x 32 GB) |           | X          | X          |            |

**NOTE:** Memory modules support data transfer rates up to 3200 MT/s; actual data rate is determined by the system configured.

**NOTE:** When more than one memory slot is populated, symmetric configurations are required for 2 DIMMs per channel. Mix of different data transfer rates or memory rank mix within the same channel is not allowed.

**NOTE:** All memory slots are customer accessible / upgradeable.

**NOTE:** For systems configured with more than 3 GB of memory and a 32-bit operating system, all memory may not be available due to system resource requirements. Addressing memory above 4 GB requires a 64-bit operating system.

### Features

#### NETWORKING/COMMUNICATIONS

##### Ethernet (RJ-45)

|  | <u>DM</u> | <u>SFF</u> | <u>TWR</u> | <u>AiO</u> |
|--|-----------|------------|------------|------------|
| Intel® I219-LM 1 Gigabit Network Connection LOM (vPro)       | X         | X          | X          | X          |
| Intel® I225-T1 2.5 Gigabit Network Connection LOM (optional) | X         | X          | X          |            |

##### Wireless<sup>1</sup>

|  | <u>DM</u> | <u>SFF</u> | <u>TWR</u> | <u>AiO</u> |
|--|-----------|------------|------------|------------|
| Intel® Wi-Fi 6 AX201 + BT5.1 (802.11AX 2x2 vPro, supporting gigabit data rate <sup>2</sup> )     | X         | X          | X          | X          |
| Intel® Wi-Fi 6 AX201 + BT5.1 (802.11AX 2x2 non-vPro, supporting gigabit data rate <sup>2</sup> ) | X         | X          | X          |            |
| Realtek RTL8852AE 802.11ax 2x2 Wi-Fi® 6 + BT5.2  | X         | X          | X          |            |
| Realtek RTL8822CE 802.11ac 2x2 Wi-Fi® + BT5  |           |            |            | X          |

1. Wireless access point and Internet service required and sold separately. Availability of public wireless access points limited. Wi-Fi 6 (802.11ax) is backwards compatible with prior 802.11 specs.

2. Wi-Fi 6 is designed to support gigabit data rate when transferring files between two devices connected to the same router. Requires a wireless router, sold separately, that supports 80MHz and higher channels.

#### KEYBOARDS AND POINTING DEVICES

##### Keyboards

|  | <u>DM</u> | <u>SFF</u> | <u>TWR</u> | <u>AiO</u> |
|--|-----------|------------|------------|------------|
| HP USB 320K Keyboard                               | X         | X          | X          | X          |
| HP USB Business Slim Wired SmartCard CCID Keyboard | X         | X          | X          | X          |
| HP Business Slim PS/2 Wired Keyboard               |           | X          | X          |            |
| HP 125 Wired Keyboard                              | X         | X          | X          | X          |
| HP 125 AntiMic USB Wired Keyboard <sup>1</sup>     | X         | X          | X          | X          |
| HP USB PS/2 Washable Wired Keyboard                | X         | X          | X          | X          |

##### Keyboard and Mouse Combo

|   | <u>DM</u> | <u>SFF</u> | <u>TWR</u> | <u>AiO</u> |
|---|-----------|------------|------------|------------|
| HP Wireless Keyboard and Mouse Business Slim Keyboard | X         | X          | X          | X          |
| HP USB Wired Keyboard and Mouse Premium Keyboard      | X         | X          | X          | X          |
| HP Wireless Keyboard and Mouse Premium Keyboard       | X         | X          | X          | X          |

##### Mouse

|                                       | <u>DM</u> | <u>SFF</u> | <u>TWR</u> | <u>AiO</u> |
|---------------------------------------|-----------|------------|------------|------------|
| HP Wired 320M Mouse                   | X         | X          | X          | X          |
| HP PS/2 Mouse                         |           | X          | X          |            |
| HP USB Fingerprint Reader Wired Mouse | X         | X          | X          | X          |
| HP USB PS/2 Washable Wired Mouse      | X         | X          | X          | X          |
| HP Wired 125 Mouse                    | X         | X          | X          | X          |
| HP Wired 128 Laser Mouse              | X         | X          | X          | X          |
| HP Wired 125 Antimicrobial Mouse      | X         | X          | X          | X          |

1. Availability may vary by country

### Features

#### SECURITY

|   | <u>DM</u>                             | <u>SFF</u> | <u>TWR</u> | <u>AiO</u> |
|---|---------------------------------------|------------|------------|------------|
| TPM 2.0 endpoint security controller (Infineon SLB9670) shipped with Windows 10. Common Criteria EAL4+ Certified. FIPS 140-2 Level 2 Certified. | <b>X</b>                              | <b>X</b>   | <b>X</b>   | <b>X</b>   |
| Solenoid Lock & Intrusion Sensor (optional)   |                                       | <b>X</b>   | <b>X</b>   |            |
| Intrusion Sensor for DM/AiO (integrated in the PCA, can be enabled/disabled through BIOS)   | <b>X</b>                              |            |            | <b>X</b>   |
| Support for chassis cable lock devices  | <b>X</b><br>(10 mm barrel or smaller) | <b>X</b>   | <b>X</b>   | <b>X</b>   |
| Support for chassis padlocks devices  | <b>X</b>                              | <b>X</b>   | <b>X</b>   |            |
| HP Fingerprint Sensor (optional)  |                                       |            |            | <b>X</b>   |
| SATA port disablement (via BIOS)  | <b>X</b>                              | <b>X</b>   | <b>X</b>   |            |
| Serial, USB enable / disable (via BIOS)   | <b>X</b>                              | <b>X</b>   | <b>X</b>   | <b>X</b>   |
| Serial, parallel, USB enable / disable (via BIOS)   | <b>X</b>                              | <b>X</b>   | <b>X</b>   | <b>X</b>   |
| Optional USB Port Disable at factory (user configurable via BIOS)   | <b>X</b>                              | <b>X</b>   | <b>X</b>   | <b>X</b>   |
| Removable media write/boot control  | <b>X</b>                              | <b>X</b>   | <b>X</b>   | <b>X</b>   |
| Power-on password (via BIOS)  | <b>X</b>                              | <b>X</b>   | <b>X</b>   | <b>X</b>   |
| Setup password (via BIOS)   | <b>X</b>                              | <b>X</b>   | <b>X</b>   | <b>X</b>   |

### Features

#### PORTS

##### I/O Ports – Internal Ports

|                                   | <u>DM</u>  | <u>SFF</u>   | <u>TWR</u>   | <u>AiO</u>  |
|-----------------------------------|--|--|--|---|
| PCI Express 4.0 x16               |  | 1  | 1  | N/A   |
| PCI Express 3.0 x16               |  |  |  |   |
| PCI Express 3.0 x16 (wired as x4) |  | 1  | 1  |   |
| PCI Express 3.0 x4                |  |  |  |   |
| PCI Express 3.0 x1                |  | 2  | 2  |   |
| SATA port                         |  | 4  | 4  | N/A   |
| Internal SATA storage connector   | 1  |  |  | N/A   |
| M.2 PCIe                          | (1) M.2 PCIe3 x1 2230 (for WLAN)<br>(1) M.2 PCIe4 x4 2280 (for storage)<br>(1) M.2 PCIe3 x4 2280 (for storage) | (1) M.2 PCIe 3 x1 2230 (for WLAN)<br>(1) M.2 PCIe 4 x4 2280 (for storage)<br>(1) M.2 PCIe 3 x4 2280 (for storage) <sup>1</sup> | (1) M.2 PCIe 3 x1 2230 (for WLAN)<br>(1) M.2 PCIe 4 x4 2280 (for storage)<br>(1) M.2 PCIe 3 x4 2280 (for storage) <sup>1</sup> | (1) M.2 2230/2280 for WLAN<br>(2) M.2 2280 for NVMe SSD<br>One Attached to CPU PCIe Gen 4.0<br>Two attached to PCH PCIe Gen 3.0 |

1. M.2 SSD attached to CPU is PCIe Gen 4, the other two M.2 are PCIe Gen 3.

**NOTE:** For Desktop Mini with M.2 Storage config, there will be no SATA drive bracket. If you plan to use or upgrade the storage with any 2.5" SATA drive, please select a DM SATA Drive Bracket (available as both factory configured and after market option).

##### Standard User Accessible Ports

|  | <u>DM</u>   | <u>SFF</u>  | <u>TWR</u>  | <u>AiO</u>   |
|--|---|---|---|--|
| Type-A Hi-Speed USB 480Mbps signaling rate port    |   | 3 (rear)  | 3(rear)   |  |
| Type-A SuperSpeed USB 5 Gbps signaling rate port   | 1 (front)<br>2 (rear)   | 2 (front,1 fast charging)<br>1 (rear)   | 2 (front, 1 fast charging)<br>1 (rear)  | 2 rear   |
| Type-A SuperSpeed USB 10 Gbps signaling rate port  | 1 (front)<br>2 (rear)   | 2 (front)<br>2 (rear)   | 2 (front)<br>2 (rear)   | 2 rear<br>1 side   |
| Type-C® SuperSpeed USB 10 signaling rate Gbps port |   |   |   | 1 rear<br>1 side   |
| Type-C® SuperSpeed USB 20Gbps signaling rate port  | 1 (front)   | 1 (front)   | 1 (front)   |  |
| Video  | 2 DisplayPort™ 1.4  | 2 DisplayPort™ 1.4  | 2 DisplayPort™ 1.4  | 1 DisplayPort™ 1.4 (rear)<br>1 USB Type-C® with alt mode display or 15W output) (rear)<br>1 HDMI-In (rear) |
| Audio  | 1 Combo Audio Jack with CTIA and OMTP headset support (front) | 1 Universal Audio Jack with CTIA and OMPT headset support (front);<br>1 Audio-Line out (rear) | 1 Universal Audio Jack with CTIA and OMPT headset support (front);<br>1 Audio-Line out (rear) | 1 CTIA/OMTP UAJ (side)   |

### Features

#### (1) Flexible Port 1, choice of one of the following...

|   | <u>DM</u>   | <u>SFF</u>                             | <u>TWR</u>                             | <u>AiO</u> |
|---|---|--|--|------------|
| Dual Type-A SuperSpeed USB 5 Gbps signaling rate port | 1   | 1                                      | 1                                      |            |
| Type-C® SuperSpeed USB 10Gbps signaling rate port     | 1 SuperSpeed USB 10Gbps signaling rate port w/ DisplayPort™ Alt Mode and power intake via USB Type-C® Power Delivery up to 100W | 1                                      | 1                                      |            |
| Thunderbolt™ 3 <sup>2</sup>                           | 1 <sup>3</sup>  | 1                                      | 1                                      |            |
| Video   | 1 DisplayPort™ 1.4 or HDMI 2.0b or VGA  | 1 DisplayPort™ 1.4 or HDMI 2.0b or VGA | 1 DisplayPort™ 1.4 or HDMI 2.0b or VGA |            |
| Serial  | 1 <sup>3</sup>  | 1                                      | 1                                      |            |
| Fiber NIC Adapter                                     | (1) 100Mbps NIC   |  |  |            |
| Fiber NIC Adapter                                     | (1) 1 Gbps NIC  |  |  |            |
| RJ-45 Ethernet NIC                                    | (1) 2.5GbE  |  |  |            |

2. Occupies a PCIe slot on TWR/SFF. Available in Q3, 2021.

3. Sold separately or as an optional feature.

#### (1) Flexible Port 2, choice of one of the following:

|                                  | <u>DM</u>      | <u>SFF</u> | <u>MT</u> | <u>AiO</u> |
|----------------------------------|----------------|------------|-----------|------------|
| Type-A USB                       | 2 Hi-Speed USB |            |           |            |
| Serial                           | 1              |            |           |            |
| Discrete Graphics                | 1              |            |           |            |
| 2 <sup>nd</sup> External antenna | 1              |            |           |            |

**NOTE:** For Desktop Mini with M.2 Storage config, there will be no SATA drive bracket. If you plan to use or upgrade the storage with any 2.5" SATA drive, please select a DM SATA Drive Bracket (available as both factory configured and after market option).

#### Bays

|                                   | <u>DM</u>      | <u>SFF</u> | <u>TWR</u> | <u>AiO</u> |
|-----------------------------------|----------------|------------|------------|------------|
| 5.25" Half Height (External)      |                |            | 1          |            |
| 9mm Slim Optical Disc Drive (ODD) |                | 1          | 1          |            |
| SD Card Reader                    |                | 1          | 1          | 1          |
| 2.5" Internal Storage Drive       | 1 <sup>4</sup> | 1          | 1          |            |
| 3.5" Internal Storage Drive       |                | 2          | 2          |            |

4. SATA 2.5" internal storage drive cannot be selected if, discrete graphic card is selected.

## Features

### USB SPECIFICATION AND MARKETING NAME MAPPING TABLE

| <b>Marketing Name</b>                | <b>Technical Terminology</b> |
|--------------------------------------|------------------------------|
| Hi-Speed USB 480Mbps signaling rate  | USB 2.0                      |
| SuperSpeed USB 5Gbps signaling rate  | USB 3.2 Gen 1                |
| SuperSpeed USB 10Gbps signaling rate | USB 3.2 Gen 2                |
| SuperSpeed USB 20Gbps signaling rate | USB 3.2 Gen 2x2              |

### Features

#### SOFTWARE COMPONENTS AND APPLICATIONS WITH WINDOWS

##### BIOS

- HP BIOSphere Gen6<sup>1</sup>
- HP Secure Erase<sup>2</sup>
- Absolute Persistence Module<sup>3</sup>
- HP Drive Lock & Automatic Drive Lock<sup>4</sup>
- BIOS Update via Network
- HP Wake on WLAN

##### Software

- HP Desktop Support Utilities
- HP Connection Optimizer<sup>5</sup>
- HP Easy Clean<sup>6</sup>
- myHP
- HP Privacy Settings
- HP PC Hardware Diagnostics
- Touchpoint Customizer for Commercial
- HP Notifications
- HP Presence Aware<sup>7</sup>
- HP Setup Integrated OOBE
- HP Support Assistant<sup>8</sup>
- HP Noise Cancellation Software
- HP QuickDrop<sup>9</sup>
- Microsoft Defender
- Buy Microsoft Office (sold separately)
- HP Smart Support<sup>10</sup>

##### Manageability Features

- HP Driver Packs (download)<sup>11</sup>
- HP Client Catalog (download)
- HP Image Assistant (download)
- HP Manageability Integration Kit for Microsoft System Center Configuration Management Gen4 (download)<sup>12</sup>
- Ivanti Management Suite (download)<sup>13</sup>
- HP Cloud Recovery<sup>14</sup>
- HP Client Management Script Library (download)

##### Security Management

- HP Pro Security Edition (optional)<sup>15</sup>
- HP Client Security Manager Gen7<sup>16</sup>
- HP Sure Sense<sup>17</sup>
- HP Sure Admin<sup>18</sup>
- HP Sure Click<sup>19</sup>
- HP Sure Start Gen6<sup>20</sup>
- HP Sure Run Gen4<sup>21</sup>
- HP Sure Recover Gen4<sup>22</sup>
- HP Tamper Lock
- TPM 2.0 Embedded Security Chip (Common Criteria EAL4+ Certified) (FIPS 140-2 Level 2 Certified)

1. HP BIOSphere Gen6 requires Windows 10 and is available on select HP Pro and Elite PCs. Features may vary depending on the platform and configurations.
2. HP Secure Erase for the methods outlined in the National Institute of Standards and Technology Special Publication 800-88 "Clear" sanitation method. HP Secure Erase does not support platforms with Intel® Optane™.
3. Absolute agent is shipped turned off and will be activated when customers activate a purchased subscription. Subscriptions can be purchased for terms ranging multiple years. Service is limited, check with Absolute for availability outside the U.S. The Absolute Recovery Guarantee is a limited warranty. Certain conditions apply. For full details visit: <http://www.absolute.com/company/legal/agreements/computrace-agreement>. Data Delete is an optional service provided by Absolute Software. If utilized, the Recovery Guarantee is null and void. In order to use

### Features

the Data Delete service, customers must first sign a Pre-Authorization Agreement and either obtain a PIN or purchase one or more RSA SecurID tokens from Absolute Software.

4. Drive Lock is not supported on NVMe drives.

5. HP Connection Optimizer requires Windows 10.

6. Not available with PS/2 keyboard / mouse.

7. HP Presence Aware requires a proximity sensor that is available on select EliteBooks and requires Windows Hello for authentication.

8. HP Support Assistant requires Windows and Internet access.

9. HP Quick Drop requires Internet access and Windows 10 PC preinstalled with HP QuickDrop app and either an Android device (phone or tablet) running Android 7 or higher with the Android HP QuickDrop app, and /or an iOS device (phone or tablet) running iOS 12 or higher with the iOS HP QuickDrop app.

10. HP Smart Support is available to commercial customers through your HP Service Representative and HP Factory Configuration Services; or it can be downloaded at: <http://www.hp.com/smart-support>. HP Smart Support automatically collects the telemetry necessary upon initial boot of the product to deliver device-level configuration data and health insights.

11. HP Driver Packs not preinstalled, however available for download at <http://www.hp.com/go/clientmanagement>.

12. HP Manageability Integration Kit can be downloaded from <http://www8.hp.com/us/en/ads/clientmanagement/overview.html>.

13. Ivanti Management Suite subscription required.

14. HP Cloud Recovery is available for HP Elite and Pro desktops and laptops PCs with Intel® or AMD processors and requires an open, wired network connection. Note: You must back up important files, data, photos, videos, etc. before use to avoid loss of data. Detail please refer to: <https://support.hp.com/us-en/document/c05115630>.

15. HP Pro Security Edition is available preloaded on select HP PCs and includes HP Sure Click Pro and HP Sure Sense Pro. 3-year license required. The HP Pro Security Edition software is licensed under the license terms of the HP End User License Agreement (EULA) that can be found at:

[https://h30670.www3.hp.com/ecommerce/common/disclaimer.do#EN\\_US](https://h30670.www3.hp.com/ecommerce/common/disclaimer.do#EN_US) as modified by the following: "7. Term. Unless otherwise terminated earlier pursuant to the terms contained in this EULA, the license for the HP Pro Security Edition (HP Sure Sense Pro and HP Sure Click Pro) is effective upon activation and will continue for thirty-six (36) months thereafter ("Initial Term"). At the end of the Initial Term you may either (a) purchase a renewal license for the HP Pro Security Edition from HP.com, HP Sales or an HP Channel Partner, or (b) continue using the standard versions of HP Sure Click and HP Sure Sense at no additional cost with no future software updates or HP Support." HP Pro Security Edition is optimized for the SMB environment and ships pre-configured - manageability is optional. The HP Pro Security Edition supports a limited tool set that can be used by the HP Manageability Integration Kit which can be downloaded from <http://www.hp.com/go/clientmanagement>.

16. HP Client Security Manager Gen7 requires Windows and is available on the select HP Elite and Pro PCs.

17. HP Sure Sense is available on select HP PCs and is not available with Windows10 Home.

18. HP Sure Admin requires Windows 10, HP BIOS, HP Manageability Integration Kit from <http://www.hp.com/go/clientmanagement> and HP Sure Admin Local Access Authenticator smartphone app from the Android or Apple store.

19. HP Sure Click requires Windows 10. See [https://bit.ly/2PrLT6A\\_SureClick](https://bit.ly/2PrLT6A_SureClick) for complete details.

20. HP Sure Start Gen6 is available on select HP PCs and requires Windows 10.

21. HP Sure Run Gen4 is available on select HP PCs and requires Windows 10.

22. HP Sure Recover Gen4 is available on select HP PCs and requires Windows 10 and an open network connection. You must back up important files, data, photos, videos, etc. before using HP Sure Recover to avoid loss of data. Network based recovery using Wi-Fi is only available on PCs with Intel Wi-Fi Module.



### Features

#### ENVIRONMENTAL & INDUSTRY

##### ENERGY STAR® certified models available

ENERGY STAR® certified. EPEAT® 2019 registered where applicable. Based on US EPEAT® registration according to IEEE 1680.1-2018 EPEAT®. EPEAT® status varies by country. Visit <http://www.epeat.net> for more information.

Low halogen (chassis, all internal components and modules)<sup>1</sup>

TAA compliant models available

1. External power supplies, power cords, cables and peripherals are not Low Halogen. Service parts obtained after purchase may not be Low Halogen.

#### UNIT ENVIRONMENT AND OPERATING CONDITIONS

##### General Unit Operating Guidelines

- Keep the computer away from excessive moisture, direct moisture and the extremes of heat and cold, to ensure that unit is operated within the specified operating range.
- Leave a 10.2 cm (4 in) clearance on all vented sides of the computer to permit the required airflow.
- Never restrict airflow into the computer by blocking any vents or air intakes.
- Do not stack computers on top of each other or place computers so near each other that they are subject to each other's re-circulated or preheated air.
- Occasionally clean the air vents on the front, back, and any other vented side of the computer. Lint, dust and other foreign matter can block the vents and limit the airflow.
- If the computer is to be operated within a separate enclosure, intake and exhaust ventilation must be provided on the enclosure, and the same operating guidelines listed above will still apply.

Temperature Range                      Operating: 50° to 95° F (10° to 35° C)<sup>2</sup>  
Non-operating: -22° to 149° F (-30° to 65° C)

Relative Humidity                      Operating: 10% to 90% (non-condensing at ambient)  
Non-operating: 5% to 95% (non-condensing at ambient)

Maximum Altitude                      Operating: 5000m  
(unpressurized)                      Non-operating: 50000ft (15240 m)

2. Operating temperature is de-rated 1.0 deg C per 300 m (1000 ft) to 3000 m (10,000 ft) above sea level, no direct sustained sunlight. Maximum rate of change is 10 deg C/Hr. The upper limit may be limited by the type and number of options installed.

### Features

#### HP EliteDesk 800 Desktop Mini G8 series

|  |   |   |                     |
|--|---|---|---------------------|
| <b>Eco-Label Certifications &amp; declarations</b>                         | <p>This product has received or is in the process of being certified to the following approvals and may be labeled with one or more of these marks:</p> <ul style="list-style-type: none"> <li>• IT ECO declaration</li> <li>• US ENERGY STAR®</li> <li>• ENERGY STAR® certified. EPEAT® 2019 registered where applicable. Based on US EPEAT® registration according to IEEE 1680.1-2018 EPEAT®. EPEAT® status varies by country. Visit <a href="http://www.epeat.net">http://www.epeat.net</a> for more information.</li> </ul>                          |   |                     |
| <b>System Configuration</b>  | The configuration used for the Energy Consumption and Declared Noise Emissions data for the Desktop model is based on a “Typically Configured Desktop.”   |   |                     |
| <b>Energy Consumption (in accordance with US ENERGY STAR® test method)</b> | <b>115VAC, 60Hz</b>   | <b>230VAC, 50Hz</b>                               | <b>100VAC, 50Hz</b> |
| Normal Operation (Short idle)  | 7.795 watt  | 7.923 watt  | 7.573 watt          |
| Normal Operation (Long idle)   | 6.931 watt  | 7.02 watt   | 6.746 watt          |
| Sleep  | 0.8199 watt   | 0.851 watt  | 0.7776 watt         |
| Off  | 0.6586 watt   | 0.672 watt  | 0.633 watt          |
|  | <p><b>NOTE:</b> Energy efficiency data listed is for an ENERGY STAR® certified product if offered within the model family. HP computers marked with the ENERGY STAR® Logo are compliant with the applicable U.S. Environmental Protection Agency (EPA) ENERGY STAR® specifications for computers. If a model family does not offer ENERGY STAR® certified configurations, then energy efficiency data listed is for a typically configured PC featuring a hard disk drive, a high efficiency power supply, and a Microsoft Windows® operating system.</p> |   |                     |
| <b>Heat Dissipation*</b>   | <b>115VAC, 60Hz</b>   | <b>230VAC, 50Hz</b>                               | <b>100VAC, 50Hz</b> |
| Normal Operation (Short idle)  | 26.58095 BTU/hr   | 27.01743 BTU/hr                                   | 25.82393 BTU/hr     |
| Normal Operation (Long idle)   | 23.63471 BTU/hr   | 23.9382 BTU/hr                                    | 23.00386 BTU/hr     |
| Sleep  | 2.795859 BTU/hr   | 2.90191 BTU/hr                                    | 2.651616 BTU/hr     |
| Off  | 2.245826 BTU/hr   | 2.29152 BTU/hr                                    | 2.15853 BTU/hr      |
|  | <p><b>NOTE:</b> Heat dissipation is calculated based on the measured watts, assuming the service level is attained for one hour.</p>  |   |                     |
| <b>Declared Noise Emissions (in accordance with ISO 7779 and ISO 9296)</b> | <b>Sound Power (L<sub>WAd</sub>, bels)</b>  | <b>Sound Pressure (L<sub>pAm</sub>, decibels)</b> |                     |
| Typically Configured – Idle  | 2.7   | 17  |                     |
| Fixed Disk – Random writes   | 2.7   | 17  |                     |
| <b>Longevity and Upgrading</b>   | <p>This product can be upgraded, possibly extending its useful life by several years. Upgradeable features and/or components contained in the product may include:</p> <p>Spare parts are available throughout the warranty period and or for up to “5” years after the end of production.</p>  |   |                     |
| <b>Batteries</b>   | <p>This battery(s) in this product comply with EU Directive 2006/66/EC</p> <p>Batteries used in the product do not contain:</p> <ul style="list-style-type: none"> <li>Mercury greater the 1ppm by weight</li> <li>Cadmium greater than 20ppm by weight</li> </ul> <p>Battery size: CR2032 (coin cell)<br/>Battery type: Lithium</p>  |   |                     |

### Features

|                               |  |                                  |       |
|-------------------------------|--|----------------------------------|-------|
| <b>Additional Information</b> | <ul style="list-style-type: none"> <li>• This product is in compliance with the Restrictions of Hazardous Substances (RoHS) directive - 2011/65/EC.</li> <li>• This HP product is designed to comply with the Waste Electrical and Electronic Equipment (WEEE) Directive – 2002/96/EC.</li> <li>• This product is in compliance with California Proposition 65 (State of California; Safe Drinking Water and Toxic Enforcement Act of 1986).</li> <li>• ENERGY STAR® certified. EPEAT® 2019 registered where applicable. Based on US EPEAT® registration according to IEEE 1680.1-2018 EPEAT®. EPEAT® status varies by country. Visit <a href="http://www.epeat.net">http://www.epeat.net</a> for more information.</li> <li>• Plastics parts weighing over 25 grams used in the product are marked per ISO11469 and ISO1043.</li> <li>• This product contains a minimum of 35% post-consumer recycled plastic (by wt.); Including 10% ITE-derived post-consumer recycled plastic*</li> <li>• This product is 95.1% recycle-able when properly disposed of at end of life.</li> </ul> <p><b>*NOTE:</b> Recycled plastic content percentage is based on the definition set in the IEEE 1680.1-2018 standard.</p>  |                                  |       |
| <b>Packaging Materials</b>    | <b>External:</b>   | PAPER/Corrugated                 | 405 g |
|                               |  | PAPER/Molded pulp                | 74 g  |
|                               | <b>Internal:</b>   | PLASTIC/Polyethylene low density | 3 g   |
| <b>Material Usage</b>         | <p>This product does not contain any of the following substances in excess of regulatory limits (refer to the HP General Specification for the Environment at <a href="http://www.hp.com/hpinfo/globalcitizenship/environment/pdf/gse.pdf">http://www.hp.com/hpinfo/globalcitizenship/environment/pdf/gse.pdf</a>):</p> <ul style="list-style-type: none"> <li>• Asbestos</li> <li>• Certain Azo Colorants</li> <li>• Certain Brominated Flame Retardants – may not be used as flame retardants in plastics</li> <li>• Cadmium</li> <li>• Chlorinated Hydrocarbons</li> <li>• Chlorinated Paraffins</li> <li>• Formaldehyde</li> <li>• Halogenated Diphenyl Methanes</li> <li>• Lead carbonates and sulfates</li> <li>• Lead and Lead compounds</li> <li>• Mercuric Oxide Batteries</li> <li>• Nickel – finishes must not be used on the external surface designed to be frequently handled or carried by the user.</li> <li>• Ozone Depleting Substances</li> <li>• Polybrominated Biphenyls (PBBs)</li> <li>• Polybrominated Biphenyl Ethers (PBBEs)</li> <li>• Polybrominated Biphenyl Oxides (PBBOs)</li> <li>• Polychlorinated Biphenyl (PCB)</li> <li>• Polychlorinated Terphenyls (PCT)</li> <li>• Polyvinyl Chloride (PVC) – except for wires and cables, and certain retail packaging has been voluntarily removed from most applications.</li> <li>• Radioactive Substances</li> <li>• Tributyl Tin (TBT), Triphenyl Tin (TPT), Tributyl Tin Oxide (TBTO)</li> </ul> |                                  |       |

### Features

|  |   |
|--|---|
| <p><b>Packaging Usage</b></p>                      | <p>This product does not contain any of the following substances in excess of regulatory limits (refer to the HP General Specification for the Environment at <a href="http://www.hp.com/hpinfo/globalcitizenship/environment/pdf/gse.pdf">http://www.hp.com/hpinfo/globalcitizenship/environment/pdf/gse.pdf</a>):</p> <ul style="list-style-type: none"> <li>• Asbestos</li> <li>• Certain Azo Colorants</li> <li>• Certain Brominated Flame Retardants – may not be used as flame retardants in plastics</li> <li>• Cadmium</li> <li>• Chlorinated Hydrocarbons</li> <li>• Chlorinated Paraffins</li> <li>• Formaldehyde</li> <li>• Halogenated Diphenyl Methanes</li> <li>• Lead carbonates and sulfates</li> <li>• Lead and Lead compounds</li> <li>• Mercuric Oxide Batteries</li> <li>• Nickel – finishes must not be used on the external surface designed to be frequently handled or carried by the user.</li> <li>• Ozone Depleting Substances</li> <li>• Polybrominated Biphenyls (PBBs)</li> <li>• Polybrominated Biphenyl Ethers (PBBEs)</li> <li>• Polybrominated Biphenyl Oxides (PBBOs)</li> <li>• Polychlorinated Biphenyl (PCB)</li> <li>• Polychlorinated Terphenyls (PCT)</li> <li>• Polyvinyl Chloride (PVC) – except for wires and cables, and certain retail packaging has been voluntarily removed from most applications.</li> <li>• Radioactive Substances</li> <li>• Tributyl Tin (TBT), Triphenyl Tin (TPT), Tributyl Tin Oxide (TBTO)</li> </ul>  |
| <p><b>End-of-life Management and Recycling</b></p> | <p>HP Inc. offers end-of-life HP product return and recycling programs in many geographic areas. To recycle your product, please go to: <a href="http://www.hp.com/go/reuse-recycle">http://www.hp.com/go/reuse-recycle</a> or contact your nearest HP sales office. Products returned to HP will be recycled, recovered or disposed of in a responsible manner.</p> <p>The EU WEEE directive (2002/95/EC) requires manufacturers to provide treatment information for each product type for use by treatment facilities. This information (product disassembly instructions) is posted on the Hewlett Packard web site at: <a href="http://www.hp.com/go/recyclers">http://www.hp.com/go/recyclers</a>. These instructions may be used by recyclers and other WEEE treatment facilities as well as HP OEM customers who integrate and re-sell HP equipment.</p> <p>Global Citizenship Report<br/> <a href="http://www.hp.com/hpinfo/globalcitizenship/gcreport/index.html">http://www.hp.com/hpinfo/globalcitizenship/gcreport/index.html</a><br/>         Eco-label certifications<br/> <a href="http://www8.hp.com/us/en/hp-information/environment/ecolabels.html">http://www8.hp.com/us/en/hp-information/environment/ecolabels.html</a><br/>         ISO 14001 certificates:<br/> <a href="http://www.hp.com/hpinfo/globalcitizenship/environment/pdf/PC_GBU_Product_Design_ISO_14K_Certificate.pdf">http://www.hp.com/hpinfo/globalcitizenship/environment/pdf/PC_GBU_Product_Design_ISO_14K_Certificate.pdf</a><br/>         and<br/> <a href="http://www.hp.com/hpinfo/globalcitizenship/environment/pdf/cert.pdf">http://www.hp.com/hpinfo/globalcitizenship/environment/pdf/cert.pdf</a></p> |

### Features

#### HP EliteDesk 800 Small Form Factor G8 series

|  |   |                     |   |
|--|---|---------------------|---|
| <b>Eco-Label Certifications &amp; declarations</b>                         | <p>This product has received or is in the process of being certified to the following approvals and may be labeled with one or more of these marks:</p> <ul style="list-style-type: none"> <li>• IT ECO declaration</li> <li>• US ENERGY STAR®</li> <li>• ENERGY STAR® certified. EPEAT® 2019 registered where applicable. Based on US EPEAT® registration according to IEEE 1680.1-2018 EPEAT®. EPEAT® status varies by country. Visit <a href="http://www.epeat.net">http://www.epeat.net</a> for more information.</li> </ul>                          |                     |   |
| <b>System Configuration</b>  | <p>The configuration used for the Energy Consumption and Declared Noise Emissions data for the Desktop model is based on a “Typically Configured Desktop.”</p>  |                     |   |
| <b>Energy Consumption (in accordance with US ENERGY STAR® test method)</b> | <b>115VAC, 60Hz</b>   | <b>230VAC, 50Hz</b> | <b>100VAC, 50Hz</b>                               |
| Normal Operation (Short idle)  | 11.855 watt   | 11.867 watt         | 11.861 watt                                       |
| Normal Operation (Long idle)   | 10.741 watt   | 10.789 watt         | 10.782 watt                                       |
| Sleep  | 0.862 watt  | 0.866 watt          | 0.857 watt  |
| Off  | 0.759 watt  | 0.762 watt          | 0.755 watt  |
|  | <p><b>NOTE:</b> Energy efficiency data listed is for an ENERGY STAR® compliant product if offered within the model family. HP computers marked with the ENERGY STAR® Logo are compliant with the applicable U.S. Environmental Protection Agency (EPA) ENERGY STAR® specifications for computers. If a model family does not offer ENERGY STAR® compliant configurations, then energy efficiency data listed is for a typically configured PC featuring a hard disk drive, a high efficiency power supply, and a Microsoft Windows® operating system.</p> |                     |   |
| <b>Heat Dissipation*</b>   | <b>115VAC, 60Hz</b>   | <b>230VAC, 50Hz</b> | <b>100VAC, 50Hz</b>                               |
| Normal Operation (Short idle)  | 40.42555 BTU/hr   | 40.46647 BTU/hr     | 40.44601 BTU/hr                                   |
| Normal Operation (Long idle)   | 36.6268 BTU/hr  | 36.79049 BTU/hr     | 36.76662 BTU/hr                                   |
| Sleep  | 2.9394 BTU/hr   | 2.95306 BTU/hr      | 2.92237 BTU/hr                                    |
| Off  | 2.5881 BTU/hr   | 2.59842 BTU/hr      | 2.57455 BTU/hr                                    |
|  | <p><b>NOTE:</b> Heat dissipation is calculated based on the measured watts, assuming the service level is attained for one hour.</p>  |                     |   |
| <b>Declared Noise Emissions (in accordance with ISO 7779 and ISO 9296)</b> | <b>Sound Power (L<sub>WAd</sub>, bels)</b>  |                     | <b>Sound Pressure (L<sub>pAm</sub>, decibels)</b> |
| Typically Configured – Idle  | 3.1   |                     | 20  |
| Fixed Disk–Random writes   | 3.5   |                     | 23  |
| Longevity and Upgrading  | <p>This product can be upgraded, possibly extending its useful life by several years. Upgradeable features and/or components contained in the product may include:</p> <p>Spare parts are available throughout the warranty period and or for up to “5” years after the end of production.</p>  |                     |   |
| Batteries  | <p>This battery(s) in this product comply with EU Directive 2006/66/EC</p> <p>Batteries used in the product do not contain:</p> <ul style="list-style-type: none"> <li>Mercury greater the 1ppm by weight</li> <li>Cadmium greater than 20ppm by weight</li> </ul> <p>Battery size: CR2032 (coin cell)</p>  |                     |   |

### Features

|                               |  |                                     |        |
|-------------------------------|--|-------------------------------------|--------|
|                               | Battery type: Lithium  |                                     |        |
| <b>Additional Information</b> | <ul style="list-style-type: none"> <li>• This product is in compliance with the Restrictions of Hazardous Substances (RoHS) directive - 2011/65/EC.</li> <li>• This HP product is designed to comply with the Waste Electrical and Electronic Equipment (WEEE) Directive – 2002/96/EC.</li> <li>• This product is in compliance with California Proposition 65 (State of California; Safe Drinking Water and Toxic Enforcement Act of 1986).</li> <li>• ENERGY STAR® certified. EPEAT® 2019 registered where applicable. Based on US EPEAT® registration according to IEEE 1680.1-2018 EPEAT®. EPEAT® status varies by country. Visit <a href="http://www.epeat.net">http://www.epeat.net</a> for more information.</li> <li>• Plastics parts weighing over 25 grams used in the product are marked per ISO11469 and ISO1043.</li> <li>• This product contains a minimum of 35% post-consumer recycled plastic (by wt.); Including 10% ITE-derived post-consumer recycled plastic*</li> <li>• This product is 95.1% recycle-able when properly disposed of at end of life.</li> </ul> <p><b>*NOTE:</b> Recycled plastic content percentage is based on the definition set in the IEEE 1680.1-2018 standard.</p>  |                                     |        |
| <b>Packaging Materials</b>    | <b>External:</b>   | PAPER/Corrugated                    | 1158 g |
|                               | <b>Internal:</b>   | PLASTIC/EPE (Expanded Polyethylene) | 320 g  |
|                               |  | PLASTIC/Polyethylene low density    | 28 g   |
| <b>Material Usage</b>         | <p>This product does not contain any of the following substances in excess of regulatory limits (refer to the HP General Specification for the Environment at <a href="http://www.hp.com/hpinfo/globalcitizenship/environment/pdf/gse.pdf">http://www.hp.com/hpinfo/globalcitizenship/environment/pdf/gse.pdf</a>):</p> <ul style="list-style-type: none"> <li>• Asbestos</li> <li>• Certain Azo Colorants</li> <li>• Certain Brominated Flame Retardants – may not be used as flame retardants in plastics</li> <li>• Cadmium</li> <li>• Chlorinated Hydrocarbons</li> <li>• Chlorinated Paraffins</li> <li>• Formaldehyde</li> <li>• Halogenated Diphenyl Methanes</li> <li>• Lead carbonates and sulfates</li> <li>• Lead and Lead compounds</li> <li>• Mercuric Oxide Batteries</li> <li>• Nickel – finishes must not be used on the external surface designed to be frequently handled or carried by the user.</li> <li>• Ozone Depleting Substances</li> <li>• Polybrominated Biphenyls (PBBs)</li> <li>• Polybrominated Biphenyl Ethers (PBBEs)</li> <li>• Polybrominated Biphenyl Oxides (PBBOs)</li> <li>• Polychlorinated Biphenyl (PCB)</li> <li>• Polychlorinated Terphenyls (PCT)</li> <li>• Polyvinyl Chloride (PVC) – except for wires and cables, and certain retail packaging has been voluntarily removed from most applications.</li> <li>• Radioactive Substances</li> <li>• Tributyl Tin (TBT), Triphenyl Tin (TPT), Tributyl Tin Oxide (TBTO)</li> </ul> |                                     |        |

### Features

|   |   |
|---|---|
| <b>Packaging Usage</b>                      | <p>HP follows these guidelines to decrease the environmental impact of product packaging:</p> <ul style="list-style-type: none"> <li>• Eliminate the use of heavy metals such as lead, chromium, mercury and cadmium in packaging materials.</li> <li>• Eliminate the use of ozone-depleting substances (ODS) in packaging materials.</li> <li>• Design packaging materials for ease of disassembly.</li> <li>• Maximize the use of post-consumer recycled content materials in packaging materials.</li> <li>• Use readily recyclable packaging materials such as paper and corrugated materials.</li> <li>• Reduce size and weight of packages to improve transportation fuel efficiency.</li> <li>• Plastic packaging materials are marked according to ISO 11469 and DIN 6120 standards.</li> </ul>   |
| <b>End-of-life Management and Recycling</b> | <p>HP Inc. offers end-of-life HP product return and recycling programs in many geographic areas. To recycle your product, please go to: <a href="http://www.hp.com/go/reuse-recycle">http://www.hp.com/go/reuse-recycle</a> or contact your nearest HP sales office. Products returned to HP will be recycled, recovered or disposed of in a responsible manner.</p> <p>The EU WEEE directive (2002/95/EC) requires manufacturers to provide treatment information for each product type for use by treatment facilities. This information (product disassembly instructions) is posted on the Hewlett Packard web site at: <a href="http://www.hp.com/go/recyclers">http://www.hp.com/go/recyclers</a>. These instructions may be used by recyclers and other WEEE treatment facilities as well as HP OEM customers who integrate and re-sell HP equipment.</p> <p>Global Citizenship Report<br/> <a href="http://www.hp.com/hpinfo/globalcitizenship/gcreport/index.html">http://www.hp.com/hpinfo/globalcitizenship/gcreport/index.html</a><br/> Eco-label certifications<br/> <a href="http://www8.hp.com/us/en/hp-information/environment/ecolabels.html">http://www8.hp.com/us/en/hp-information/environment/ecolabels.html</a><br/> ISO 14001 certificates:<br/> <a href="http://www.hp.com/hpinfo/globalcitizenship/environment/pdf/PC_GBU_Product_Design_ISO_14K_Certificate.pdf">http://www.hp.com/hpinfo/globalcitizenship/environment/pdf/PC_GBU_Product_Design_ISO_14K_Certificate.pdf</a><br/> and<br/> <a href="http://www.hp.com/hpinfo/globalcitizenship/environment/pdf/cert.pdf">http://www.hp.com/hpinfo/globalcitizenship/environment/pdf/cert.pdf</a></p> |

### HP EliteDesk 800 Tower G8 series

|  |   |
|--|---|
| <b>Eco-Label Certifications &amp; declarations</b> | <p>This product has received or is in the process of being certified to the following approvals and may be labeled with one or more of these marks:</p> <ul style="list-style-type: none"> <li>• IT ECO declaration</li> <li>• US ENERGY STAR®</li> <li>• US Federal Energy Management Program (FEMP)</li> <li>• EPEAT<sup>®</sup> Gold registered in the United States. See <a href="http://www.epeat.net">http://www.epeat.net</a> for registration status in your country.</li> <li>• China Energy Conservation Program (CECP)</li> <li>• China State Environmental Protection Administration (SEPA)</li> <li>• Taiwan Green Mark</li> <li>• Korea Eco-label</li> <li>• Japan PC Green label*</li> </ul> |
| <b>Sustainable Impact Specifications</b>           | <ul style="list-style-type: none"> <li>• Ocean-bound plastic in Bezel</li> <li>• 50% post-consumer recycled plastic</li> <li>• 80 Plus<sup>®</sup> Gold power supplies available</li> <li>• Low halogen</li> <li>• Outside Box and corrugated cushions are 100% sustainably sourced and recyclable</li> <li>• Molded Paper Pulp Cushion inside box is 100% sustainably sourced and recyclable</li> <li>• Recycled Plastic cushions</li> </ul>   |
| <b>System Configuration</b>                        | <p>The configuration used for the Energy Consumption and Declared Noise Emissions data for the Desktop model is based on a Typically Configured Desktop.</p>  |

### Features

| <b>Energy Consumption<br/>(in accordance with US ENERGY STAR® test method)</b> | <b>115VAC, 60Hz</b>   | <b>230VAC, 50Hz</b> | <b>100VAC, 60Hz</b>                                   |
|--|---|---------------------|---|
| Normal Operation (Short idle)  | 10.982 watt   | 11.285 watt         | 10.881 watt   |
| Normal Operation (Long idle)   | 9.96 watt   | 10.203 watt         | 9.892 watt  |
| Sleep  | 0.886 watt  | 0.888 watt          | 0.884 watt  |
| Off  | 0.762 watt  | 0.764 watt          | 0.759 watt  |
|  | <p><b>NOTE:</b> Energy efficiency data listed is for an ENERGY STAR® compliant product if offered within the model family. HP computers marked with the ENERGY STAR® Logo are compliant with the applicable U.S. Environmental Protection Agency (EPA) ENERGY STAR® specifications for computers. If a model family does not offer ENERGY STAR® compliant configurations, then energy efficiency data listed is for a typically configured PC featuring a hard disk drive, a high efficiency power supply, and a Microsoft Windows® operating system.</p>   |                     |   |
| <b>Heat Dissipation*</b>   | <b>115VAC, 60Hz</b>   | <b>230VAC, 50Hz</b> | <b>100VAC, 60Hz</b>                                   |
| Normal Operation (Short idle)  | 37.44862 BTU/hr   | 38.48185 BTU/hr     | 37.10421 BTU/hr                                       |
| Normal Operation (Long idle)   | 33.97042 BTU/hr   | 34.79223 BTU/hr     | 33.7317 BTU/hr  |
| Sleep  | 3.02126 BTU/hr  | 3.02808 BTU/hr      | 3.0144 BTU/hr   |
| Off  | 2.59842 BTU/hr  | 2.60524 BTU/hr      | 2.5881 BTU/hr   |
|  | <p><b>NOTE:</b> Heat dissipation is calculated based on the measured watts, assuming the service level is attained for one hour.</p>  |                     |   |
| <b>Declared Noise Emissions<br/>(in accordance with ISO 7779 and ISO 9296)</b> | <b>Sound Power<br/>(L<sub>WAd</sub>, bels)</b>  |                     | <b>Sound Pressure<br/>(L<sub>pAm</sub>, decibels)</b> |
| Typically Configured – Idle  | 3.2   |                     | 21  |
| Fixed Disk–Random writes   | 3.3   |                     | 22  |
| Longevity and Upgrading  | <p>This product can be upgraded, possibly extending its useful life by several years. Upgradeable features and/or components contained in the product may include:</p> <p>Spare parts are available throughout the warranty period and or for up to “5” years after the end of production.</p>  |                     |   |
| Batteries  | <p>This battery(s) in this product comply with EU Directive 2006/66/EC</p> <p>Batteries used in the product do not contain:<br/>Mercury greater the 1ppm by weight<br/>Cadmium greater than 20ppm by weight</p> <p>Battery size: CR2032 (coin cell)<br/>Battery type: Lithium</p>   |                     |   |
| <b>Additional Information</b>  | <ul style="list-style-type: none"> <li>• This product is in compliance with the Restrictions of Hazardous Substances (RoHS) directive - 2011/65/EC.</li> <li>• This HP product is designed to comply with the Waste Electrical and Electronic Equipment (WEEE) Directive – 2002/96/EC.</li> <li>• This product is in compliance with California Proposition 65 (State of California; Safe Drinking Water and Toxic Enforcement Act of 1986).</li> <li>• ENERGY STAR® certified. EPEAT® 2019 registered where applicable. Based on US EPEAT® registration according to IEEE 1680.1–2018 EPEAT®. EPEAT® status varies by country. Visit <a href="http://www.epeat.net">http://www.epeat.net</a> for more information..</li> <li>• Plastics parts weighing over 25 grams used in the product are marked per ISO11469 and ISO1043.</li> </ul> |                     |   |



### Features

|   |  |   |        |
|---|--|---|--------|
|   | <ul style="list-style-type: none"> <li>• This product contains a minimum of 35% post-consumer recycled plastic (by wt.); Including 10% ITE-derived post-consumer recycled plastic*</li> <li>• This product is 95.1% recycle-able when properly disposed of at end of life.</li> </ul> <p><b>*NOTE:</b> Recycled plastic content percentage is based on the definition set in the IEEE 1680.1-2018 standard.</p>  |   |        |
| <b>Packaging Materials</b>                  | <b>External:</b>   | PAPER/Corrugated                        | 1114 g |
|   |  | PAPER/Molded Pulp                       | 788 g  |
|   | <b>Internal:</b>   | PLASTIC/Polyethylene low density - LDPE | 44 g   |
| <b>Material Usage</b>                       | <p>This product does not contain any of the following substances in excess of regulatory limits (refer to the HP General Specification for the Environment at <a href="http://www.hp.com/hpinfo/globalcitizenship/environment/pdf/gse.pdf">http://www.hp.com/hpinfo/globalcitizenship/environment/pdf/gse.pdf</a>):</p> <ul style="list-style-type: none"> <li>• Asbestos</li> <li>• Certain Azo Colorants</li> <li>• Certain Brominated Flame Retardants – may not be used as flame retardants in plastics</li> <li>• Cadmium</li> <li>• Chlorinated Hydrocarbons</li> <li>• Chlorinated Paraffins</li> <li>• Formaldehyde</li> <li>• Halogenated Diphenyl Methanes</li> <li>• Lead carbonates and sulfates</li> <li>• Lead and Lead compounds</li> <li>• Mercuric Oxide Batteries</li> <li>• Nickel – finishes must not be used on the external surface designed to be frequently handled or carried by the user.</li> <li>• Ozone Depleting Substances</li> <li>• Polybrominated Biphenyls (PBBs)</li> <li>• Polybrominated Biphenyl Ethers (PBBEs)</li> <li>• Polybrominated Biphenyl Oxides (PBBOs)</li> <li>• Polychlorinated Biphenyl (PCB)</li> <li>• Polychlorinated Terphenyls (PCT)</li> <li>• Polyvinyl Chloride (PVC) – except for wires and cables, and certain retail packaging has been voluntarily removed from most applications.</li> <li>• Radioactive Substances</li> <li>• Tributyl Tin (TBT), Triphenyl Tin (TPT), Tributyl Tin Oxide (TBTO)</li> </ul> |   |        |
| <b>Packaging Usage</b>                      | <p>HP follows these guidelines to decrease the environmental impact of product packaging:</p> <ul style="list-style-type: none"> <li>• Eliminate the use of heavy metals such as lead, chromium, mercury and cadmium in packaging materials.</li> <li>• Eliminate the use of ozone-depleting substances (ODS) in packaging materials.</li> <li>• Design packaging materials for ease of disassembly.</li> <li>• Maximize the use of post-consumer recycled content materials in packaging materials.</li> <li>• Use readily recyclable packaging materials such as paper and corrugated materials.</li> <li>• Reduce size and weight of packages to improve transportation fuel efficiency.</li> <li>• Plastic packaging materials are marked according to ISO 11469 and DIN 6120 standards.</li> </ul>  |   |        |
| <b>End-of-life Management and Recycling</b> | <p>HP Inc. offers end-of-life HP product return and recycling programs in many geographic areas. To recycle your product, please go to: <a href="http://www.hp.com/go/reuse-recycle">http://www.hp.com/go/reuse-recycle</a> or contact your nearest HP sales office. Products returned to HP will be recycled, recovered or disposed of in a responsible manner.</p>   |   |        |

### Features

|  |   |
|--|---|
|  | <p>The EU WEEE directive (2002/95/EC) requires manufacturers to provide treatment information for each product type for use by treatment facilities. This information (product disassembly instructions) is posted on the Hewlett Packard web site at: <a href="http://www.hp.com/go/recyclers">http://www.hp.com/go/recyclers</a>. These instructions may be used by recyclers and other WEEE treatment facilities as well as HP OEM customers who integrate and re-sell HP equipment.</p> <p>Global Citizenship Report<br/><a href="http://www.hp.com/hpinfo/globalcitizenship/gcreport/index.html">http://www.hp.com/hpinfo/globalcitizenship/gcreport/index.html</a></p> <p>Eco-label certifications<br/><a href="http://www8.hp.com/us/en/hp-information/environment/ecolabels.html">http://www8.hp.com/us/en/hp-information/environment/ecolabels.html</a></p> <p>ISO 14001 certificates:<br/><a href="http://www.hp.com/hpinfo/globalcitizenship/environment/pdf/PC_GBU_Product_Design_ISO_14K_Certificate.pdf">http://www.hp.com/hpinfo/globalcitizenship/environment/pdf/PC_GBU_Product_Design_ISO_14K_Certificate.pdf</a><br/>and<br/><a href="http://www.hp.com/hpinfo/globalcitizenship/environment/pdf/cert.pdf">http://www.hp.com/hpinfo/globalcitizenship/environment/pdf/cert.pdf</a></p> |
|--|---|

### Features

#### HP EliteOne 800 G8 23.8-in All-in-One

|  |  |                     |  |
|--|--|---------------------|--|
| <b>Eco-Label Certifications &amp; declarations</b>                         | <p>This product has received or is in the process of being certified to the following approvals and may be labeled with one or more of these marks:</p> <ul style="list-style-type: none"> <li>• IT ECO declaration</li> <li>• US ENERGY STAR®</li> <li>• US Federal Energy Management Program (FEMP)</li> <li>• Based on US EPEAT® registration according to IEEE 1680.1-2018 EPEAT®. EPEAT® status varies by country. Visit <a href="http://www.epeat.net">http://www.epeat.net</a> for more information</li> <li>• TCO Certified Edge</li> <li>• China Energy Conservation Program (CECP)</li> <li>• China State Environmental Protection Administration (SEPA)</li> <li>• Taiwan Green Mark</li> <li>• Korea Eco-label</li> <li>• Japan PC Green label*</li> </ul> |                     |  |
| <b>System Configuration</b>  | <p>The configuration used for the Energy Consumption and Declared Noise Emissions data for the All-in-One PC model is based on a typically configured PC featuring a hard disk drive, a high efficiency power supply, and a Microsoft Windows® operating system.</p>   |                     |  |
| <b>Energy Consumption (in accordance with US ENERGY STAR® test method)</b> | <b>115VAC, 60Hz</b>  | <b>230VAC, 50Hz</b> | <b>100VAC, 50Hz</b>                          |
| Normal Operation (Short idle)  | 14.97 watt   | 15.06 watt          | 14.79 watt                                   |
| Normal Operation (Long idle)   | 2.36 watt  | 2.45 watt           | 2.18 watt                                    |
| Sleep  | 2.4 watt   | 2.42 watt           | 2.37 watt                                    |
| Off  | 0.97 watt  | 0.98 watt           | 0.94 watt                                    |
|  | <p><b>NOTE:</b> Energy efficiency data listed is for an ENERGY STAR® compliant product if offered within the model family. HP computers marked with the ENERGY STAR® Logo are compliant with the applicable U.S. Environmental Protection Agency (EPA) ENERGY STAR® specifications for computers. If a model family does not offer ENERGY STAR® compliant configurations, then energy efficiency data listed is for a typically configured PC featuring a hard disk drive, a high efficiency power supply, and a Microsoft Windows® operating system.</p>  |                     |  |
| <b>Heat Dissipation*</b>   | <b>115VAC, 60Hz</b>  | <b>230VAC, 50Hz</b> | <b>100VAC, 50Hz</b>                          |
| Normal Operation (Short idle)  | 51.0477 BTU/hr   | 51.3546 BTU/hr      | 50.4339 BTU/hr                               |
| Normal Operation (Long idle)   | 8.0476 BTU/hr  | 8.3545 BTU/hr       | 7.4338 BTU/hr                                |
| Sleep  | 8.184 BTU/hr   | 8.2522 BTU/hr       | 8.0817 BTU/hr                                |
| Off  | 3.3077 BTU/hr  | 3.3418 BTU/hr       | 3.2054 BTU/hr                                |
|  | <p><b>NOTE:</b> Heat dissipation is calculated based on the measured watts, assuming the service level is attained for one hour.</p>   |                     |  |
| <b>Declared Noise Emissions (in accordance with ISO 7779 and ISO 9296)</b> | Sound Power (L <sub>WAd</sub> , bels)  |                     | Sound Pressure (L <sub>pAm</sub> , decibels) |
| Typically Configured – Idle  | 2.5  |                     | 13.6   |
| Fixed Disk – Random writes   | 2.5  |                     | 13.6   |
| <b>Longevity and Upgrading</b>   | <p>This product can be upgraded, possibly extending its useful life by several years. Upgradeable features and/or components contained in the product may include:</p> <ul style="list-style-type: none"> <li>• 6 USB ports</li> <li>• 2 memory slots</li> <li>• 1 Mini PCIe half-length slot</li> </ul>   |                     |  |

### Features

|                               |  |                  |                  |         |                  |                                     |         |
|-------------------------------|--|------------------|------------------|---------|------------------|-------------------------------------|---------|
|                               | <ul style="list-style-type: none"> <li>• 1 MXM 3.0 Type A - 35W slot</li> <li>• 1 mSATA slot</li> <li>• 1 2.5" internal bay supporting up to Two 2.5" hard drives (HDD/SSD/SED/SSHD)</li> <li>• 1 5.25" external supporting optical drive</li> </ul> <p>Spare parts are available throughout the warranty period and or for up to "5" years after the end of production.</p>   |                  |                  |         |                  |                                     |         |
| Batteries                     | <p>This battery(s) in this product comply with EU Directive 2006/66/EC</p> <p>Batteries used in the product do not contain:<br/>Mercury greater the 1ppm by weight<br/>Cadmium greater than 20ppm by weight</p> <p>Battery size: CR2032 (coin cell)<br/>Battery type: Lithium</p>  |                  |                  |         |                  |                                     |         |
| <b>Additional Information</b> | <ul style="list-style-type: none"> <li>• This product is in compliance with the Restrictions of Hazardous Substances (RoHS) directive - 2011/65/EC.</li> <li>• This HP product is designed to comply with the Waste Electrical and Electronic Equipment (WEEE) Directive – 2002/96/EC.</li> <li>• This product is in compliance with California Proposition 65 (State of California; Safe Drinking Water and Toxic Enforcement Act of 1986).</li> <li>• ENERGY STAR® certified. EPEAT® 2019 registered where applicable. Based on US EPEAT® registration according to IEEE 1680.1-2018 EPEAT®. EPEAT® status varies by country. Visit <a href="http://www.epeat.net">www.epeat.net</a> for more information.</li> <li>• Plastics parts weighing over 25 grams used in the product are marked per ISO11469 and ISO1043.</li> <li>• This product contains 51.7% post-consumer recycled plastic (by wt.) <i>according to IEEE 1680.1-2018 standard, criterion 4.2.1.1.</i></li> <li>• This product is 97.8% recycle-able when properly disposed of at end of life.</li> </ul>   |                  |                  |         |                  |                                     |         |
| <b>Packaging Materials</b>    | <table border="1"> <tr> <td><b>External:</b></td> <td>PAPER/Corrugated</td> <td>1.488 g</td> </tr> <tr> <td><b>Internal:</b></td> <td>PLASTIC/Polyethylene Expanded - EPE</td> <td>1.052 g</td> </tr> </table> <p>The plastic packaging material contains at least xx% recycled content.</p> <p>The corrugated paper packaging materials contains at least xx% recycled content.</p>   | <b>External:</b> | PAPER/Corrugated | 1.488 g | <b>Internal:</b> | PLASTIC/Polyethylene Expanded - EPE | 1.052 g |
| <b>External:</b>              | PAPER/Corrugated   | 1.488 g          |                  |         |                  |                                     |         |
| <b>Internal:</b>              | PLASTIC/Polyethylene Expanded - EPE  | 1.052 g          |                  |         |                  |                                     |         |
| <b>RoHS Compliance</b>        | <p>HP Inc. complies fully with materials regulations. We were among the first companies to extend the restrictions in the European Union (EU) Restriction of Hazardous Substances (RoHS) Directive to our products worldwide through the HP GSE. HP has contributed to the development of related legislation in Europe, as well as China, India, and Vietnam.</p> <p>We believe the RoHS directive and similar laws play an important role in promoting industry-wide elimination of substances of concern. We have supported the inclusion of additional substances—including PVC, BFRs, and certain phthalates—in future RoHS legislation that pertains to electrical and electronics products.</p> <p>We met our voluntary objective to achieve worldwide compliance with the new EU RoHS requirements for virtually all relevant products by July 2013, and we will continue to extend the scope of the commitment to include further restricted substances as regulations continue to evolve.</p> <p>To obtain a copy of the HP RoHS Compliance Statement, see <a href="#">HP RoHS position statement</a>.</p> |                  |                  |         |                  |                                     |         |
| <b>Material Usage</b>         | <p>This product does not contain any of the following substances in excess of regulatory limits (refer to the HP General Specification for the Environment at <a href="http://www.hp.com/hpinfo/globalcitizenship/environment/pdf/gse.pdf">http://www.hp.com/hpinfo/globalcitizenship/environment/pdf/gse.pdf</a>):</p> <ul style="list-style-type: none"> <li>• Asbestos</li> <li>• Certain Azo Colorants</li> </ul>  |                  |                  |         |                  |                                     |         |

### Features

|  |   |
|--|---|
|  | <ul style="list-style-type: none"> <li>• Certain Brominated Flame Retardants – may not be used as flame retardants in plastics</li> <li>• Cadmium</li> <li>• Chlorinated Hydrocarbons</li> <li>• Chlorinated Paraffins</li> <li>• Formaldehyde</li> <li>• Halogenated Diphenyl Methanes</li> <li>• Lead carbonates and sulfates</li> <li>• Lead and Lead compounds</li> <li>• Mercuric Oxide Batteries</li> <li>• Nickel – finishes must not be used on the external surface designed to be frequently handled or carried by the user.</li> <li>• Ozone Depleting Substances</li> <li>• Polybrominated Biphenyls (PBBs)</li> <li>• Polybrominated Biphenyl Ethers (PBBEs)</li> <li>• Polybrominated Biphenyl Oxides (PBBOs)</li> <li>• Polychlorinated Biphenyl (PCB)</li> <li>• Polychlorinated Terphenyls (PCT)</li> <li>• Polyvinyl Chloride (PVC) – except for wires and cables, and certain retail packaging has been voluntarily removed from most applications.</li> <li>• Radioactive Substances</li> <li>• Tributyl Tin (TBT), Triphenyl Tin (TPT), Tributyl Tin Oxide (TBTO)</li> </ul>   |
| <p><b>Packaging Usage</b></p>                      | <p>HP follows these guidelines to decrease the environmental impact of product packaging:</p> <ul style="list-style-type: none"> <li>• Eliminate the use of heavy metals such as lead, chromium, mercury and cadmium in packaging materials.</li> <li>• Eliminate the use of ozone-depleting substances (ODS) in packaging materials.</li> <li>• Design packaging materials for ease of disassembly.</li> <li>• Maximize the use of post-consumer recycled content materials in packaging materials.</li> <li>• Use readily recyclable packaging materials such as paper and corrugated materials.</li> <li>• Reduce size and weight of packages to improve transportation fuel efficiency.</li> <li>• Plastic packaging materials are marked according to ISO 11469 and DIN 6120 standards.</li> </ul>   |
| <p><b>End-of-life Management and Recycling</b></p> | <p>HP Inc. offers end-of-life HP product return and recycling programs in many geographic areas. To recycle your product, please go to: <a href="http://www.hp.com/go/reuse-recycle">http://www.hp.com/go/reuse-recycle</a> or contact your nearest HP sales office. Products returned to HP will be recycled, recovered or disposed of in a responsible manner.</p> <p>The EU WEEE directive (2002/95/EC) requires manufacturers to provide treatment information for each product type for use by treatment facilities. This information (product disassembly instructions) is posted on the Hewlett Packard web site at: <a href="http://www.hp.com/go/recyclers">http://www.hp.com/go/recyclers</a>. These instructions may be used by recyclers and other WEEE treatment facilities as well as HP OEM customers who integrate and re-sell HP equipment.</p> <p>Global Citizenship Report<br/> <a href="http://www.hp.com/hpinfo/globalcitizenship/gcreport/index.html">http://www.hp.com/hpinfo/globalcitizenship/gcreport/index.html</a><br/> Eco-label certifications<br/> <a href="http://www8.hp.com/us/en/hp-information/environment/ecolabels.html">http://www8.hp.com/us/en/hp-information/environment/ecolabels.html</a><br/> ISO 14001 certificates:<br/> <a href="http://www.hp.com/hpinfo/globalcitizenship/environment/pdf/PC_GBU_Product_Design_ISO_14K_Certificate.pdf">http://www.hp.com/hpinfo/globalcitizenship/environment/pdf/PC_GBU_Product_Design_ISO_14K_Certificate.pdf</a><br/> and<br/> <a href="http://www.hp.com/hpinfo/globalcitizenship/environment/pdf/cert.pdf">http://www.hp.com/hpinfo/globalcitizenship/environment/pdf/cert.pdf</a></p> |

### Features

#### HP EliteOne 800 G8 27 All-in-One PC

|  |   |                     |  |
|--|---|---------------------|--|
| <b>Eco-Label Certifications &amp; declarations</b>                         | <p>This product has received or is in the process of being certified to the following approvals and may be labeled with one or more of these marks:</p> <ul style="list-style-type: none"> <li>• IT ECO declaration</li> <li>• US ENERGY STAR®</li> <li>• US Federal Energy Management Program (FEMP)</li> <li>• US EPEAT® registration according to IEEE 1680.1-2019 EPEAT®. Status varies by country. See <a href="http://www.epeat.net">http://www.epeat.net</a> for registration status by country. Search keyword generator on HP's 3rd party option store for solar generator accessories at <a href="http://www.hp.com/go/options">http://www.hp.com/go/options</a>.</li> <li>• TCO Certified Edge</li> <li>• China Energy Conservation Program (CECP)</li> <li>• China State Environmental Protection Administration (SEPA)</li> <li>• Taiwan Green Mark</li> <li>• Korea Eco-label</li> <li>• Japan PC Green label*</li> </ul> |                     |  |
| <b>System Configuration</b>  | <p>The configuration used for the Energy Consumption and Declared Noise Emissions data for the All-in-One PC model is based on a typically configured PC featuring a hard disk drive, a high efficiency power supply, and a Microsoft Windows® operating system.</p>  |                     |  |
| <b>Energy Consumption (in accordance with US ENERGY STAR® test method)</b> | <b>115VAC, 60Hz</b>   | <b>230VAC, 50Hz</b> | <b>100VAC, 60Hz</b>                          |
| Normal Operation (Short idle)  | 16.05 watt  | 16.14 watt          | 15.88 watt                                   |
| Normal Operation (Long idle)   | 2.23 watt   | 2.32 watt           | 2.05 watt                                    |
| Sleep  | 2.26 watt   | 2.28 watt           | 2.23 watt                                    |
| Off  | 0.93 watt   | 0.94 watt           | 0.9 watt                                     |
|  | <p><b>Note:</b> Energy efficiency data listed is for an ENERGY STAR® compliant product if offered within the model family. HP computers marked with the ENERGY STAR® Logo are compliant with the applicable U.S. Environmental Protection Agency (EPA) ENERGY STAR® specifications for computers. If a model family does not offer ENERGY STAR® compliant configurations, then energy efficiency data listed is for a typically configured PC featuring a hard disk drive, a high efficiency power supply, and a Microsoft Windows® operating system.</p>   |                     |  |
| <b>Heat Dissipation*</b>   | <b>115VAC, 60Hz</b>   | <b>230VAC, 50Hz</b> | <b>100VAC, 60Hz</b>                          |
| Normal Operation (Short idle)  | 54.7305 BTU/hr  | 55.0374 BTU/hr      | 54.1508 BTU/hr                               |
| Normal Operation (Long idle)   | 7.6043 BTU/hr   | 7.9112 BTU/hr       | 6.9905 BTU/hr                                |
| Sleep  | 7.7066 BTU/hr   | 7.7748 BTU/hr       | 7.6043 BTU/hr                                |
| Off  | 3.1713 BTU/hr   | 3.2054 BTU/hr       | 3.069 BTU/hr                                 |
|  | <p><b>NOTE:</b> Heat dissipation is calculated based on the measured watts, assuming the service level is attained for one hour.</p>  |                     |  |
| <b>Declared Noise Emissions (in accordance with ISO 7779 and ISO 9296)</b> | Sound Power (L <sub>WAd</sub> , bels)   |                     | Sound Pressure (L <sub>pAm</sub> , decibels) |
| Typically Configured – Idle  | 2.5   |                     | 15.2   |
| Fixed Disk – Random writes   | 2.5   |                     | 15.2   |
| Longevity and Upgrading  | <p>This product can be upgraded, possibly extending its useful life by several years. Upgradeable features and/or components contained in the product may include:</p>  |                     |  |

### Features

|                               |   |                  |                  |         |                  |                                     |         |
|-------------------------------|---|------------------|------------------|---------|------------------|-------------------------------------|---------|
|                               | <ul style="list-style-type: none"> <li>• 6 USB ports</li> <li>• 2 memory slots</li> <li>• 1 Mini PCIe half-length slot</li> <li>• 1 MXM 3.0 Type A - 35W slot</li> <li>• 1 mSATA slot</li> <li>• 1 2.5" internal bay supporting up to Two 2.5" hard drives (HDD/SSD/SED/SSHD)</li> <li>• 1 5.25" external supporting optical drive</li> </ul> <p>Spare parts are available throughout the warranty period and or for up to "5" years after the end of production.</p>   |                  |                  |         |                  |                                     |         |
| Batteries                     | <p>This battery(s) in this product comply with EU Directive 2006/66/EC</p> <p>Batteries used in the product do not contain:<br/>Mercury greater the 1ppm by weight<br/>Cadmium greater than 20ppm by weight</p> <p>Battery size: CR2032 (coin cell)<br/>Battery type: Lithium</p>   |                  |                  |         |                  |                                     |         |
| <b>Additional Information</b> | <ul style="list-style-type: none"> <li>• This product is in compliance with the Restrictions of Hazardous Substances (RoHS) directive - 2011/65/EC.</li> <li>• This HP product is designed to comply with the Waste Electrical and Electronic Equipment (WEEE) Directive – 2002/96/EC.</li> <li>• This product is in compliance with California Proposition 65 (State of California; Safe Drinking Water and Toxic Enforcement Act of 1986).</li> <li>• ENERGY STAR® certified. EPEAT® 2019 registered where applicable. Based on US EPEAT® registration according to IEEE 1680.1-2018 EPEAT®. EPEAT® status varies by country. Visit <a href="http://www.epeat.net">http://www.epeat.net</a> for more information.</li> <li>• Plastics parts weighing over 25 grams used in the product are marked per ISO11469 and ISO1043.</li> <li>• This product contains 72.2% post-consumer recycled plastic (by wt.) <i>according to IEEE 1680.1-2018 standard, criterion 4.2.1.1.</i></li> <li>• This product is 98% recycle-able when properly disposed of at end of life.</li> </ul>                                       |                  |                  |         |                  |                                     |         |
| <b>Packaging Materials</b>    | <table border="1"> <tr> <td><b>External:</b></td> <td>PAPER/Corrugated</td> <td>1.510 g</td> </tr> <tr> <td><b>Internal:</b></td> <td>PLASTIC/Polyethylene Expanded - EPE</td> <td>1.520 g</td> </tr> </table>  | <b>External:</b> | PAPER/Corrugated | 1.510 g | <b>Internal:</b> | PLASTIC/Polyethylene Expanded - EPE | 1.520 g |
| <b>External:</b>              | PAPER/Corrugated  | 1.510 g          |                  |         |                  |                                     |         |
| <b>Internal:</b>              | PLASTIC/Polyethylene Expanded - EPE   | 1.520 g          |                  |         |                  |                                     |         |
|                               | <p>The plastic packaging material contains at least xx% recycled content.</p>   |                  |                  |         |                  |                                     |         |
|                               | <p>The corrugated paper packaging materials contains at least xx% recycled content.</p>   |                  |                  |         |                  |                                     |         |
| <b>RoHS Compliance</b>        | <p>HP Inc. complies fully with materials regulations. We were among the first companies to extend the restrictions in the European Union (EU) Restriction of Hazardous Substances (RoHS) Directive to our products worldwide through the HP GSE. HP has contributed to the development of related legislation in Europe, as well as China, India, and Vietnam.</p> <p>We believe the RoHS directive and similar laws play an important role in promoting industry-wide elimination of substances of concern. We have supported the inclusion of additional substances—including PVC, BFRs, and certain phthalates—in future RoHS legislation that pertains to electrical and electronics products.</p> <p>We met our voluntary objective to achieve worldwide compliance with the new EU RoHS requirements for virtually all relevant products by July 2013, and we will continue to extend the scope of the commitment to include further restricted substances as regulations continue to evolve.</p> <p>To obtain a copy of the HP RoHS Compliance Statement, see: <a href="#">HP RoHS position statement</a>.</p> |                  |                  |         |                  |                                     |         |

### Features

|  |  |
|--|--|
| <p><b>Material Usage</b></p>                       | <p>This product does not contain any of the following substances in excess of regulatory limits (refer to the HP General Specification for the Environment at <a href="http://www.hp.com/hpinfo/globalcitizenship/environment/supplychain/gen_specifications.html">http://www.hp.com/hpinfo/globalcitizenship/environment/supplychain/gen_specifications.html</a>):</p> <ul style="list-style-type: none"> <li>• Asbestos</li> <li>• Certain Azo Colorants</li> <li>• Certain Brominated Flame Retardants – may not be used as flame retardants in plastics</li> <li>• Cadmium</li> <li>• Chlorinated Hydrocarbons</li> <li>• Chlorinated Paraffins</li> <li>• Bis(2-Ethylhexyl) phthalate (DEHP)</li> <li>• Benzyl butyl phthalate (BBP)</li> <li>• Dibutyl phthalate (DBP)</li> <li>• Diisobutyl phthalate (DIBP)</li> <li>• Formaldehyde</li> <li>• Halogenated Diphenyl Methanes</li> <li>• Lead carbonates and sulfates</li> <li>• Lead and Lead compounds</li> <li>• Mercuric Oxide Batteries</li> <li>• Nickel – finishes must not be used on the external surface designed to be frequently handled or carried by the user.</li> <li>• Ozone Depleting Substances</li> <li>• Polybrominated Biphenyls (PBBs)</li> <li>• Polybrominated Biphenyl Ethers (PBBEs)</li> <li>• Polybrominated Biphenyl Oxides (PBBOs)</li> <li>• Polychlorinated Biphenyl (PCB)</li> <li>• Polychlorinated Terphenyls (PCT)</li> <li>• Polyvinyl Chloride (PVC) – except for wires and cables, and certain retail packaging has been voluntarily removed from most applications.</li> <li>• Radioactive Substances</li> <li>• Tributyl Tin (TBT), Triphenyl Tin (TPT), Tributyl Tin Oxide (TBTO)</li> </ul> |
| <p><b>Packaging Usage</b></p>                      | <p>HP follows these guidelines to decrease the environmental impact of product packaging:</p> <ul style="list-style-type: none"> <li>• Eliminate the use of heavy metals such as lead, chromium, mercury and cadmium in packaging materials.</li> <li>• Eliminate the use of ozone-depleting substances (ODS) in packaging materials.</li> <li>• Design packaging materials for ease of disassembly.</li> <li>• Maximize the use of post-consumer recycled content materials in packaging materials.</li> <li>• Use readily recyclable packaging materials such as paper and corrugated materials.</li> <li>• Reduce size and weight of packages to improve transportation fuel efficiency.</li> <li>• Plastic packaging materials are marked according to ISO 11469 and DIN 6120 standards.</li> </ul>  |
| <p><b>End-of-life Management and Recycling</b></p> | <p>HP Inc. offers end-of-life HP product return and recycling programs in many geographic areas. To recycle your product, please go to: <a href="http://www.hp.com/go/reuse-recycle">http://www.hp.com/go/reuse-recycle</a> or contact your nearest HP sales office. Products returned to HP will be recycled, recovered or disposed of in a responsible manner.</p> <p>The EU WEEE directive (2002/95/EC) requires manufacturers to provide treatment information for each product type for use by treatment facilities. This information (product disassembly instructions) is posted on the Hewlett Packard web site at: <a href="http://www.hp.com/go/recyclers">http://www.hp.com/go/recyclers</a>. These instructions may be used by recyclers and other WEEE treatment facilities as well as HP OEM customers who integrate and re-sell HP equipment.</p>   |



### Features

|   |   |
|---|---|
| <b>HP, Inc. Corporate Environmental Information</b> | For more information about HP's commitment to the environment:<br><br>Global Citizenship Report<br><a href="http://www.hp.com/hpinfo/globalcitizenship/gcreport/index.html">http://www.hp.com/hpinfo/globalcitizenship/gcreport/index.html</a><br>Eco-label certifications<br><a href="http://www8.hp.com/us/en/hp-information/environment/ecolabels.html">http://www8.hp.com/us/en/hp-information/environment/ecolabels.html</a><br>ISO 14001 certificates:<br><a href="http://h20195.www2.hp.com/V2/GetDocument.aspx?docname=c04755842">http://h20195.www2.hp.com/V2/GetDocument.aspx?docname=c04755842</a><br>and<br><a href="http://www.hp.com/hpinfo/globalcitizenship/environment/pdf/cert.pdf">http://www.hp.com/hpinfo/globalcitizenship/environment/pdf/cert.pdf</a> |
|---|---|

## Features

**SERVICE AND SUPPORT****HP EliteDesk 800 G8 Tower PC**

On-site Warranty<sup>1</sup>: Three-year (3-3-3) limited warranty delivers three years of on-site, next business day<sup>2</sup> service for parts and labor and includes free support 24 x 7<sup>3</sup>. Three-year onsite and labor are not available in all countries. Service offers terms up to 5 years by choosing an optional HP Care Pack. To choose the right level of service for your HP product, visit HP Care Pack Central: <http://www.hp.com/go/cpc>.<sup>4</sup>

1. Terms and conditions may vary by country. Certain restrictions and exclusions apply. Other warranty variations may be offered in your region.
2. On-site service may be provided pursuant to a service contract between HP and an authorized HP third-party provider, and is not available in certain countries. Global service response times are based on commercially reasonable best effort and may vary by country.
3. Technical telephone support applies only to HP-configured and third-party HP qualified hardware and software. Toll-free calling and 24 x 7 support may not be available in some countries.
4. Service levels and response times for HP Care Packs may vary depending on your geographic location. Service starts on date of hardware purchase. Restrictions and limitations apply. For details, visit [www.hp.com/go/cpc](http://www.hp.com/go/cpc). HP services are governed by the applicable HP terms and conditions of service provided or indicated to Customer at the time of purchase. Customer may have additional statutory rights according to applicable local laws, and such rights are not in any way affected by the HP terms and conditions of service or the HP Limited Warranty provided with your HP Product.

**HP EliteDesk 800 G8 Small Form Factor PC**

On-site Warranty<sup>1</sup>: Three-year (3-3-3) limited warranty delivers three years of on-site, next business day<sup>2</sup> service for parts and labor and includes free support 24 x 7<sup>3</sup>. Three-year onsite and labor are not available in all countries. Service offers terms up to 5 years by choosing an optional HP Care Pack. To choose the right level of service for your HP product, visit HP Care Pack Central: <http://www.hp.com/go/cpc>.<sup>4</sup>

1. Terms and conditions may vary by country. Certain restrictions and exclusions apply. Other warranty variations may be offered in your region.
2. On-site service may be provided pursuant to a service contract between HP and an authorized HP third-party provider, and is not available in certain countries. Global service response times are based on commercially reasonable best effort and may vary by country.
3. Technical telephone support applies only to HP-configured and third-party HP qualified hardware and software. Toll-free calling and 24 x 7 support may not be available in some countries.
4. Service levels and response times for HP Care Packs may vary depending on your geographic location. Service starts on date of hardware purchase. Restrictions and limitations apply. For details, visit [www.hp.com/go/cpc](http://www.hp.com/go/cpc). HP services are governed by the applicable HP terms and conditions of service provided or indicated to Customer at the time of purchase. Customer may have additional statutory rights according to applicable local laws, and such rights are not in any way affected by the HP terms and conditions of service or the HP Limited Warranty provided with your HP Product.

**HP EliteDesk 800 G8 Desktop Mini PC**

On-site Warranty<sup>1</sup>: Three-year (3-3-3) limited warranty delivers three years of on-site, next business day<sup>2</sup> service for parts and labor and includes free support 24 x 7<sup>3</sup>. Three-year onsite and labor are not available in all countries. Service offers terms up to 5 years by choosing an optional HP Care Pack. To choose the right level of service for your HP product, visit HP Care Pack Central: <http://www.hp.com/go/cpc>.<sup>4</sup>

1. Terms and conditions may vary by country. Certain restrictions and exclusions apply. Other warranty variations may be offered in your region.
2. On-site service may be provided pursuant to a service contract between HP and an authorized HP third-party provider, and is not available in certain countries. Global service response times are based on commercially reasonable best effort and may vary by country.
3. Technical telephone support applies only to HP-configured and third-party HP qualified hardware and software. Toll-free calling and 24 x 7 support may not be available in some countries.
4. Service levels and response times for HP Care Packs may vary depending on your geographic location. Service starts on date of hardware purchase. Restrictions and limitations apply. For details, visit [www.hp.com/go/cpc](http://www.hp.com/go/cpc). HP services are governed by the applicable HP terms and conditions of service provided or indicated to Customer at the time of purchase. Customer may have additional statutory rights according to applicable local laws, and such rights are not in any way affected by the HP terms and conditions of service or the HP Limited Warranty provided with your HP Product.

### Features

#### **HP EliteOne 800 G8 24 & 27 All-in-One PC**

On-site Warranty<sup>1</sup>: Three-year (3-3-3) limited warranty delivers three years of on-site, next business day<sup>2</sup> service for parts and labor and includes free support 24 x 7<sup>3</sup>. Three-year onsite and labor are not available in all countries. Service offers terms up to 5 years by choosing an optional HP Care Pack. To choose the right level of service for your HP product, visit HP Care Pack Central: <http://www.hp.com/go/cpc>.<sup>4</sup>

1. Terms and conditions may vary by country. Certain restrictions and exclusions apply. Other warranty variations may be offered in your region.
2. On-site service may be provided pursuant to a service contract between HP and an authorized HP third-party provider, and is not available in certain countries. Global service response times are based on commercially reasonable best effort and may vary by country.
3. Technical telephone support applies only to HP-configured and third-party HP qualified hardware and software. Toll-free calling and 24 x 7 support may not be available in some countries.
4. Service levels and response times for HP Care Packs may vary depending on your geographic location. Service starts on date of hardware purchase. Restrictions and limitations apply. For details, visit [www.hp.com/go/cpc](http://www.hp.com/go/cpc). HP services are governed by the applicable HP terms and conditions of service provided or indicated to Customer at the time of purchase. Customer may have additional statutory rights according to applicable local laws, and such rights are not in any way affected by the HP terms and conditions of service or the HP Limited Warranty provided with your HP Product.

### **CERTIFICATION AND COMPLIANCE**

#### **Energy Efficiency Compliance**

ENERGY STAR<sup>®</sup> certified. EPEAT<sup>®</sup> 2019 registered where applicable. EPEAT<sup>®</sup> registration varies by country. See <http://www.epeat.net> for registration status by country. According to IEEE 1680.1-2018.

### Technical Specifications – Processors

#### **PROCESSORS**

##### **Intel® 11th Generation Core™ Processors**

All HP EliteDesk 800 G8 Business PC models featuring this technology include processors that are part of the Intel® Stable Image Platform Program (SIPP) designed to ensure the stability promise inherent in the value proposition of the HP EliteDesk and EliteOne 800 G8 Business PC.

Intel® Management Engine (ME) v15 – An advanced set of remote management features and functionality which provides network administrators the latest and most effective tools to remotely discover, heal, and protect networked client systems regardless of the system's health or power state. AMT 15 includes the following advanced management functions:

- Support for configuration of Intel ME 15.0 capabilities
- No reset after provisioning
- Support for Intel Enterprise Digital Fence
- The Platform Discovery Utility can now discover these additional Intel products:
  - Public Key Infrastructure
- Profile Editor and Profile Editor Plugin Interface
- Required Permissions for Solutions Framework

## Technical Specifications – Display Panel Specifications

### DISPLAY PANEL SPECIFICATIONS

#### 23.8" diagonal IPS widescreen WLED backlit anti-glare LCD (1920 x 1080) non-touch or optional

#### Projected Capacitive Touch supports up to 10 touch-points

Non-Touch Support HW low blue light feature

|   |  |
|---|--|
| <b>Type</b>                                     | IPS WLED Backlit LCD                                     |
| <b>Active area (mm)</b>                         | 527.04 x 296.46  |
| <b>Native Resolution (HxV)</b>                  | 1920 x 1080  |
| <b>Refresh Rate</b>                             | 60 Hz @ 1920 x 1080                                      |
| <b>Aspect ratio</b>                             | 16:9   |
| <b>Pixel pitch (HxV)(mm)</b>                    | 0.2745 x 0.2745  |
| <b>Contrast ratio</b>                           | 1000:1   |
| <b>Brightness*</b>                              | 250nits  |
| <b>Viewing angle (HxV)</b>                      | 178 ° x 178 °  |
| <b>Backlight lamp life (to half brightness)</b> | 30,000 hours minimum                                     |
| <b>Color support</b>                            | Up to 16.7 million colors with the use of FRC technology |
| <b>Color gamut</b>                              | NTSC 72%   |
| <b>Anti-glare</b>                               | Yes*   |
| <b>Response Time</b>                            | 14ms   |
| <b>Default color temperature</b>                | Warm (6500K)   |

**NOTE\*:** Actual brightness will be lower with touchscreen.

#### 27.0" diagonal IPS widescreen WLED backlit anti-glare LCD (2560 x 1440) non Touch

#### Support HW low blue light feature

|   |                           |
|---|---------------------------|
| <b>Type</b>                                     | IPS WLED Backlit LCD      |
| <b>Active area (mm)</b>                         | 596.736 x 335.664         |
| <b>Native Resolution (HxV)</b>                  | 2560 x 1440               |
| <b>Refresh Rate</b>                             | 60 Hz @ 2560 x 1440       |
| <b>Aspect ratio</b>                             | 16:9                      |
| <b>Pixel pitch (HxV)(mm)</b>                    | 0.2331 x 0.2331           |
| <b>Contrast ratio</b>                           | 1000:1                    |
| <b>Brightness*</b>                              | 250nits                   |
| <b>Viewing angle (HxV)</b>                      | 178° x 178°               |
| <b>Backlight lamp life (to half brightness)</b> | 30,000 hours minimum      |
| <b>Color support</b>                            | Up to 16.7 million colors |
| <b>Color gamut</b>                              | NTSC 72%                  |
| <b>Anti-glare</b>                               | Yes*                      |
| <b>Response Time</b>                            | 14ms                      |
| <b>Default color temperature</b>                | Warm (6500K)              |

1. All performance specifications represent the typical specifications provided by HP's component manufacturers; actual performance may vary either higher or lower.

2. For All in One only Intel® HD Graphics (integrated).

**NOTE\*:** Actual brightness will be lower with touchscreen.

### Technical Specifications – Display Panel Specifications

|                                 |  |   |
|---------------------------------|--|---|
| <b>Adjustable Height Stand:</b> | Height - Vertical/Landscape Adjustment | 130mm ( $\pm 2$ mm)                                     |
|                                 | Portrait Adjustment                    | No portrait   |
|                                 | Tilt Angle                             | -5° to +18° ( $\pm 2^\circ$ ) in landscape and portrait |
|                                 | Rotation (Swivel)                      | 90° ( $\pm 1^\circ$ ) (45 left, 45 right)               |
|                                 | Pivot                                  | No pivot  |
| <b>Recline Stand:</b>           | Height - Vertical Adjustment           | No height   |
|                                 | Tilt Angle                             | +36.5° to +58° ( $\pm 1.5^\circ$ )                      |
|                                 | Rotation (swivel)                      | No swivel   |

### Technical Specifications – Graphics

#### GRAPHICS

##### HP EliteDesk 800 G8 Desktop Mini PC

Intel® HD Graphics (integrated)

**VGA Controller  
DisplayPort™**

Integrated

Multimode capable; supports HDCP, Display Port Audio (2 streams), HBR2 link rates and Multi-Stream Technology for a maximum of 3 displays connected to any output controlled by Intel® Graphics

**HDMI (optional)**

Supports HDMI 2.0b features

Supports HDCP 2.3

Supports audio over HDMI

**VGA (optional)**

VGA output

**USB-C® DP Alt Mode (optional)**

DisplayPort over the optional USB-C® module

**Memory**

The actual amount of maximum graphics memory can be >4GB. System memory is allocated for graphics as needed using Intel's Dynamic Video Memory Technology (DVMT), to provide an optimal balance between graphics and system memory use.

**Maximum Color Depth**

up to 16 bits/color

**Graphics/Video API Support**

HEVC 10b Enc/12b Dec HW

VP9 12b Dec HW

HDR

Rec. 2020

DX12

**Max. Resolution (VGA)**

2048 x 1536@60Hz

**Max. Resolution (HDMI)**

4096 x 2160@60Hz

**Max. Resolution (DP)**

4096 x 2160@60Hz

##### Nvidia® GeForce® GTX1660 Ti

**Architecture**

Discrete GPU

Nvidia® GPU drives the integrated panel and all of the graphics output ports

**DisplayPort**

Maximum pixel clock :1.3 GHz pixels per second

Maximum bandwidth :25.92 Gbps per connector (FEC Disable)

**HDMI**

Supports HDMI 2.0b features

Supports HDCP 2.2, HDR

**Memory**

6GByte, 192bit wide GDDR6

**Maximum Color Depth**

up to 12 bits/color

**Graphics/Video API Support**

DirectX 12

OpenGL 4.6

**Display Port**

Support DP1.4(DSC1.2a)

Maximum pixel clock :1.3 GHz pixels per second

Maximum bandwidth :25.92 Gbps per connector (FEC Disable)

**Max. Resolution (HDMI)**

4096 x 2160@60Hz

**Max. Resolution (DP)**

5120 x 3200@60Hz Example of maximum resolutions with CVT-RB timings

**Port Availability**

(3) Mini DP 1.4 ports and (1) Micro HDMI 2.0 port

### Technical Specifications – Graphics

#### HP EliteDesk 800 G8 Tower PC

Intel® UHD Graphics (integrated)

|                                      |   |
|--------------------------------------|---|
| <b>VGA Controller</b>                | Integrated  |
| <b>DisplayPort™ 1.4</b>              | Multimode capable; supports HDCP, Display Port Audio (2 streams), HBR2 link rates and Multi-Stream Technology for a maximum of 3 displays connected to any output controlled by Intel® Graphics   |
| <b>HDMI (optional)</b>               | Supports HDMI 2.0b features<br>Supports HDCP 2.3<br>Supports BT2020 and HDR playback (7th Gen processors only)  |
| <b>VGA (optional)</b>                | VGA output  |
| <b>USB-C® DP Alt Mode (optional)</b> | DisplayPort over the optional USB-C® module   |
| <b>Memory</b>                        | The actual amount of maximum graphics memory can be >4GB. System memory is allocated for graphics as needed using Intel's Dynamic Video Memory Technology (DVMT), to provide an optimal balance between graphics and system memory use. |
| <b>Maximum Color Depth</b>           | up to 16 bits/color   |
| <b>Graphics/Video API Support</b>    | HEVC 10b Enc/12b Dec HW<br>VP9 12b Dec HW<br>HDR<br>Rec. 2020<br>DX12   |
| <b>Max. Resolution (VGA)</b>         | 2048 x 1536@60Hz  |
| <b>Max. Resolution (HDMI)</b>        | 4096 x 2160@60Hz  |
| <b>Max. Resolution (DP)</b>          | 4096 x 2160@60Hz  |

#### NVIDIA® GeForce® RTX 3070 Graphics Card LHR\*

|                                      |   |
|--------------------------------------|---|
| <b>Engine Clock</b>                  | 1730 MHz  |
| <b>Memory Clock</b>                  | 8000 MHz  |
| <b>Memory Size(width)</b>            | 8 GB (256-bit)                                      |
| <b>Memory Type</b>                   | 256M x 32 GDDR6                                     |
| <b>Max. Resolution (HDMI)</b>        | 7680x4320@60Hz                                      |
| <b>Max. Resolution (DP)</b>          | 7680x4320@60Hz                                      |
| <b>Multi Display Support</b>         | 4 displays  |
| <b>HDCP Compliance</b>               | Yes   |
| <b>Rear I/O connectors (bracket)</b> | HDMIx1+ DPx3  |
| <b>Cooling (active/passive)</b>      | Active fan-sink (Active cooling with dynamic speed) |
| <b>Total power consumption (W)</b>   | <220W   |
| <b>PCB form-factor with bracket</b>  | ATX (Full height) PCB with ATX dual slot bracket    |

\*NOTE: LHR 25 MH/s ETH hash rate (est.)

#### AMD® Radeon™ RX 550X Graphics Card

|                               |                  |
|-------------------------------|------------------|
| <b>Engine Clock</b>           | 1183MHz          |
| <b>Memory Clock</b>           | 6 Gbps           |
| <b>Memory Size (width)</b>    | 4 GB (128-bit)   |
| <b>Memory Type</b>            | GDDR5            |
| <b>Max. Resolution (HDMI)</b> | 4096x2160 @ 60Hz |
| <b>Max. Resolution (DP)</b>   | 5120x2880 @ 60Hz |
| <b>Multi Display Support</b>  | 2 displays       |
| <b>HDCP Compliance</b>        | Yes              |



### Technical Specifications – Graphics

|                                      |   |
|--------------------------------------|---|
| <b>Rear I/O connectors (bracket)</b> | HDMI, DPx2  |
| <b>Cooling (active/passive)</b>      | Active fan-sink (Active cooling with dynamic speed) |
| <b>Total power consumption (W)</b>   | <50W  |
| <b>PCB form-factor with bracket</b>  | LP (low profile) PCB with FH/LP bracket             |

#### NVIDIA® Quadro P620 Graphics Card

|                                      |   |
|--------------------------------------|---|
| <b>Engine Clock</b>                  | 1354 MHz  |
| <b>Memory Clock</b>                  | 2500 MHz  |
| <b>Memory Size (width)</b>           | 2GB (128-bit)                                       |
| <b>Memory Type</b>                   | 128M x 32 GDDR5                                     |
| <b>Max. Resolution (DP)</b>          | 5120x2880@60Hz                                      |
| <b>Multi Display Support</b>         | 4 displays  |
| <b>HDCP Compliance</b>               | Yes   |
| <b>Rear I/O connectors (bracket)</b> | mDPx4   |
| <b>Cooling (active/passive)</b>      | Active fan-sink (Active cooling with dynamic speed) |
| <b>Total power consumption (W)</b>   | <40W  |
| <b>PCB form-factor with bracket</b>  | LP PCB with LP bracket                              |

#### NVIDIA® Quadro P400 Graphics Card

|                                      |   |
|--------------------------------------|---|
| <b>Engine Clock</b>                  | 1252 MHz  |
| <b>Memory Clock</b>                  | 2000 MHz  |
| <b>Memory Size (width)</b>           | 2GB (64-bit)  |
| <b>Memory Type</b>                   | 256M x 32 GDDR5                                     |
| <b>Max. Resolution (DP)</b>          | 5120x2880@60Hz                                      |
| <b>Multi Display Support</b>         | 3 displays  |
| <b>HDCP Compliance</b>               | Yes   |
| <b>Rear I/O connectors (bracket)</b> | mDPx3   |
| <b>Cooling (active/passive)</b>      | Active fan-sink (Active cooling with dynamic speed) |
| <b>Total power consumption (W)</b>   | <30W  |
| <b>PCB form-factor with bracket</b>  | LP PCB with LP bracket                              |

#### AMD® Radeon™ R7 430 Graphics Card

|                                      |   |
|--------------------------------------|---|
| <b>Engine Clock</b>                  | 780 MHz   |
| <b>Memory Clock</b>                  | 1100 MHz  |
| <b>Memory Size (width)</b>           | 2 GB (64-bit)                                       |
| <b>Memory Type</b>                   | 256M x 32 GDDR5                                     |
| <b>Max. Resolution (HDMI)</b>        | 2048x1536   |
| <b>Max. Resolution (DP)</b>          | 4096x2160@60Hz                                      |
| <b>Multi Display Support</b>         | 2 displays  |
| <b>HDCP Compliance</b>               | Yes   |
| <b>Rear I/O connectors (bracket)</b> | VGA+DP  |
| <b>Cooling (active/passive)</b>      | Active fan-sink (Active cooling with dynamic speed) |
| <b>Total power consumption (W)</b>   | <50W  |
| <b>PCB form-factor with bracket</b>  | LP PCB with FH/LP bracket                           |

### Technical Specifications – Graphics

#### **AMD® Radeon™ R7 430 Graphics Card**

|                                      |   |
|--------------------------------------|---|
| <b>Engine Clock</b>                  | 780 MHz   |
| <b>Memory Clock</b>                  | 1100 MHz  |
| <b>Memory Size (width)</b>           | 2 GB (64-bit)                                       |
| <b>Memory Type</b>                   | 256M x 32 GDDR5                                     |
| <b>Max. Resolution (DP)</b>          | 4096x2160@60Hz                                      |
| <b>Multi Display Support</b>         | 2 displays  |
| <b>HDCP Compliance</b>               | yes   |
| <b>Rear I/O connectors (bracket)</b> | DPx2  |
| <b>Cooling (active/passive)</b>      | Active fan-sink (Active cooling with dynamic speed) |
| <b>Total power consumption (W)</b>   | <50W  |
| <b>PCB form-factor with bracket</b>  | LP PCB with FH/LP bracket                           |

### Technical Specifications – Graphics

#### HP EliteDesk 800 G8 Small Form Factor PC

Intel® HD Graphics (integrated)

|                                      |   |
|--------------------------------------|---|
| <b>VGA Controller</b>                | Integrated  |
| <b>DisplayPort™ 1.4</b>              | Multimode capable; supports HDCP, Display Port Audio (2 streams), HBR2 link rates and Multi-Stream Technology for a maximum of 3 displays connected to any output controlled by Intel® Graphics   |
| <b>HDMI (optional)</b>               | Supports HDMI 2.0b features<br>Supports HDCP 2.3<br>Supports audio over HDMI  |
| <b>VGA (optional)</b>                | VGA Output  |
| <b>USB-C® DP Alt Mode (optional)</b> | DisplayPort over the optional USB-C® module   |
| <b>Memory</b>                        | The actual amount of maximum graphics memory can be >4GB. System memory is allocated for graphics as needed using Intel's Dynamic Video Memory Technology (DVMT), to provide an optimal balance between graphics and system memory use. |
| <b>Maximum Color Depth</b>           | up to 16 bits/color   |
| <b>Graphics/Video API Support</b>    | HEVC 10b Enc/12b Dec HW<br>VP9 12b Dec HW<br>HDR<br>Rec. 2020<br>DX12   |
| <b>Max. Resolution (VGA)</b>         | 2048 x 1536@60Hz  |
| <b>Max. Resolution (HDMI)</b>        | 4096 x 2160@60Hz  |
| <b>Max. Resolution (DP)</b>          | 4096 x 2160@60Hz  |

#### AMD® Radeon™ R7 430 Graphics Card

|                                      |   |
|--------------------------------------|---|
| <b>Engine Clock</b>                  | 780 MHz   |
| <b>Memory Clock</b>                  | 1100 MHz  |
| <b>Memory Size (width)</b>           | 1 GB (64-bit)                                       |
| <b>Memory Type</b>                   | 256M x 32 GDDR5                                     |
| <b>Max. Resolution (HDMI)</b>        | 2048x1536   |
| <b>Max. Resolution (DP)</b>          | 4096x2160@60Hz                                      |
| <b>Multi Display Support</b>         | 2 displays  |
| <b>HDCP Compliance</b>               | Yes   |
| <b>Rear I/O connectors (bracket)</b> | VGA+DP  |
| <b>Cooling (active/passive)</b>      | Active fan-sink (Active cooling with dynamic speed) |
| <b>Total power consumption (W)</b>   | <50W  |
| <b>PCB form-factor with bracket</b>  | LCB PCB with FH/LP bracket                          |

#### AMD® Radeon™ R7 430 Graphics Card

|                                      |   |
|--------------------------------------|---|
| <b>Engine Clock</b>                  | 780 MHz   |
| <b>Memory Clock</b>                  | 1100 MHz  |
| <b>Memory Size (width)</b>           | 1 GB (64-bit)                                       |
| <b>Memory Type</b>                   | 256M x 32 GDDR5                                     |
| <b>Max. Resolution (DP)</b>          | 4096x2160@60Hz                                      |
| <b>Multi Display Support</b>         | 2 displays  |
| <b>HDCP Compliance</b>               | yes   |
| <b>Rear I/O connectors (bracket)</b> | DPx2  |
| <b>Cooling (active/passive)</b>      | Active fan-sink (Active cooling with dynamic speed) |
| <b>Total power consumption (W)</b>   | <50W  |

### Technical Specifications – Graphics

**PCB form-factor with bracket**

LP PCB with FH/LP bracket

**AMD® Radeon™ RX550 Graphics Card**

|                                      |   |
|--------------------------------------|---|
| <b>Engine Clock</b>                  | 1183MHz   |
| <b>Memory Clock</b>                  | 6 Gbps  |
| <b>Memory Size (width)</b>           | 4 GB (128-bit)                                      |
| <b>Memory Type</b>                   | GDDR5   |
| <b>Max. Resolution (HDMI)</b>        | 4096x2160 @ 60Hz                                    |
| <b>Max. Resolution (DP)</b>          | 5120x2880 @ 60Hz                                    |
| <b>Multi Display Support</b>         | 2 displays  |
| <b>HDCP Compliance</b>               | Yes   |
| <b>Rear I/O connectors (bracket)</b> | HDMI, DP  |
| <b>Cooling (active/passive)</b>      | Active fan-sink (Active cooling with dynamic speed) |
| <b>Total power consumption (W)</b>   | <50W  |
| <b>PCB form-factor with bracket</b>  | LP (low profile) PCB with FH/LP bracket             |

**AMD Radeon™ 520 Graphics Card**

|                                      |   |
|--------------------------------------|---|
| <b>Engine Clock</b>                  | 780 MHz   |
| <b>Memory Clock</b>                  | 1100 MHz  |
| <b>Memory Size (width)</b>           | 1 GB (32-bit)                                       |
| <b>Memory Type</b>                   | 256M x 32 GDDR5                                     |
| <b>Max. Resolution (DP)</b>          | 2048x1536@60Hz                                      |
| <b>Multi Display Support</b>         | 2 displays  |
| <b>HDCP Compliance</b>               | Yes   |
| <b>Rear I/O connectors (bracket)</b> | VGA+DP  |
| <b>Cooling (active/passive)</b>      | Active fan-sink (Active cooling with dynamic speed) |
| <b>Total power consumption (W)</b>   | <50W  |
| <b>PCB form-factor with bracket</b>  | LP PCB with FH/LP bracket                           |

### Technical Specifications – Graphics

#### HP EliteOne 800 G8 23.8-in All-in-One

Intel® UHD Graphics (integrated)

**VGA Controller**

Integrated

**DisplayPort™ 1.4**

Multimode capable; supports HDCP, Display Port Audio (2 streams), HBR2 link rates and Multi-Stream Technology for a maximum of 3 displays (including the integrated panel and all attached displays)

**HDMI-in**

Support HDMI-In

**Memory**

The actual amount of maximum graphics memory can be >4GB. System memory is allocated for graphics as needed using Intel's Dynamic Video Memory Technology (DVMT), to provide an optimal balance between graphics and system memory use.

**Maximum Color Depth**

up to 10 bits/color

**Graphics/Video API Support**

HEVC 10b Enc/Dec HW

VP9 10b Dec HW

HDR

Rec. 2020

DX12

**Max. Resolution (VGA)**

2048 x 1536@60Hz

**Max. Resolution (HDMI)**

4096 x 2160@60Hz

**Max. Resolution (DP)**

4096 x 2160@60Hz

### Technical Specifications – Storage

#### STORAGE

##### 500GB 7200RPM 3.5in SATA HDD

|                              |   |
|------------------------------|---|
| <b>Capacity</b>              | 500 GB  |
| <b>Rotational Speed</b>      | 7,200 rpm   |
| <b>Interface</b>             | SATA 6.0 Gb/s   |
| <b>Buffer Size</b>           | 32 MB   |
| <b>Logical Blocks</b>        | 976,773,168   |
| <b>Seek Time</b>             | 11 ms (Average)   |
| <b>Height</b>                | 1 in/2.54 cm  |
| <b>Width</b>                 | Media diameter: 3.5 in/8.89 cm<br>Physical size: 4 in/10.2 cm |
| <b>Operating Temperature</b> | 41° to 131° F (5° to 55° C)                                   |

**NOTE:** For hard drives and solid state drives, GB = 1 billion bytes. TB = 1 trillion bytes. Actual formatted capacity is less. Up to 36 GB (for Windows 10) of system disk is reserved for the system recovery software.

##### 1TB 7200RPM 3.5in SATA HDD

|                              |   |
|------------------------------|---|
| <b>Capacity</b>              | 1 TB  |
| <b>Rotational Speed</b>      | 7,200 rpm   |
| <b>Interface</b>             | SATA 6 Gb/s   |
| <b>Buffer Size</b>           | 64 MB   |
| <b>Logical Blocks</b>        | 1,953,525,168   |
| <b>Seek Time</b>             | 11 ms (Average)   |
| <b>Height</b>                | 1 in/2.54 cm  |
| <b>Width (nominal)</b>       | Media diameter: 3.5 in/8.89 cm<br>Physical size: 4 in/10.2 cm |
| <b>Operating Temperature</b> | 41° to 131° F (5° to 55° C)                                   |

**NOTE:** For hard drives and solid state drives, GB = 1 billion bytes. TB = 1 trillion bytes. Actual formatted capacity is less. Up to 36 GB (for Windows 10) of system disk is reserved for the system recovery software.

##### 2TB 7200RPM 3.5in SATA HDD

|                              |  |
|------------------------------|--|
| <b>Capacity</b>              | 2 TB   |
| <b>Rotational Speed</b>      | 7,200 rpm  |
| <b>Interface</b>             | SATA 6 Gb/s  |
| <b>Buffer Size</b>           | 128 MB   |
| <b>Logical Blocks</b>        | 3,907,050,336  |
| <b>Seek Time</b>             | 11 ms (Average)  |
| <b>Height</b>                | 1.028 in/26.11 mm  |
| <b>Width (nominal)</b>       | Media diameter: 3.5 in/88.9 mm<br>Physical size: 4 in/102 mm |
| <b>Operating Temperature</b> | 41° to 131° F (5° to 55° C)                                  |

**NOTE:** For hard drives and solid state drives, GB = 1 billion bytes. TB = 1 trillion bytes. Actual formatted capacity is less. Up to 36 GB (for Windows 10) of system disk is reserved for the system recovery software.

### Technical Specifications – Storage

#### 500GB 7200RPM 2.5in SATA HDD

|                              |                             |
|------------------------------|-----------------------------|
| <b>Capacity</b>              | 500 GB                      |
| <b>Rotational Speed</b>      | 7,200 rpm                   |
| <b>Interface</b>             | SATA 6 Gb/s                 |
| <b>Buffer Size</b>           | Up to 128 MB                |
| <b>Logical Blocks</b>        | 976,773,168                 |
| <b>Seek Time</b>             | 12 ms (Average)             |
| <b>Height</b>                | 0.283 in/7.2 mm (Max.)      |
| <b>Width (nominal)</b>       | 2.75 in/70 mm (nominal)     |
| <b>Operating Temperature</b> | 41° to 131° F (5° to 55° C) |

**NOTE:** For hard drives and solid state drives, GB = 1 billion bytes. TB = 1 trillion bytes. Actual formatted capacity is less. Up to 36 GB (for Windows 10) of system disk is reserved for the system recovery software.

#### 1TB 7200RPM 2.5in SATA HDD

|                              |                             |
|------------------------------|-----------------------------|
| <b>Capacity</b>              | 1 TB                        |
| <b>Rotational Speed</b>      | 7,200 rpm                   |
| <b>Interface</b>             | SATA 6 Gb/s                 |
| <b>Buffer Size</b>           | Up to 128 MB                |
| <b>Logical Blocks</b>        | 1,953,525,168               |
| <b>Seek Time</b>             | 12 ms (Average)             |
| <b>Height</b>                | 0.283 in/7.2 mm (Max.)      |
| <b>Width (nominal)</b>       | 2.75 in/70 mm (nominal)     |
| <b>Operating Temperature</b> | 41° to 131° F (5° to 55° C) |

**NOTE:** For hard drives and solid state drives, GB = 1 billion bytes. TB = 1 trillion bytes. Actual formatted capacity is less. Up to 36 GB (for Windows 10) of system disk is reserved for the system recovery software.

#### 2TB 5400RPM 2.5in SATA HDD

|                              |                             |
|------------------------------|-----------------------------|
| <b>Capacity</b>              | 2 TB                        |
| <b>Rotational Speed</b>      | 5,400 rpm                   |
| <b>Interface</b>             | SATA 6 Gb/s                 |
| <b>Buffer Size</b>           | 128 MB                      |
| <b>Logical Blocks</b>        | 3,907,050,336               |
| <b>Seek Time</b>             | 12 ms (Average)             |
| <b>Height</b>                | 0.374 in/9.5 mm (nominal)   |
| <b>Width (nominal)</b>       | 2.75 in/70 mm (nominal)     |
| <b>Operating Temperature</b> | 41° to 131° F (5° to 55° C) |

**NOTE:** For hard drives and solid state drives, GB = 1 billion bytes. TB = 1 trillion bytes. Actual formatted capacity is less. Up to 36 GB (for Windows 10) of system disk is reserved for the system recovery software.

### Technical Specifications – Storage

#### 500GB 7200RPM 2.5in Self Encrypted OPAL2 SATA HDD

|                              |   |
|------------------------------|---|
| <b>Capacity</b>              | 500 GB  |
| <b>Architecture</b>          | Self-Encrypting (SED) Solid State Drive with SATA interface |
| <b>Interface</b>             | SATA 6 Gb/s   |
| <b>Buffer Size</b>           | 128 MB  |
| <b>Logical Blocks</b>        | 976,773,168   |
| <b>Seek Time</b>             | 12 ms (Average)   |
| <b>Height</b>                | 0.283 in/7.2 mm (Max.)                                      |
| <b>Width</b>                 | 2.75 in/70 mm (nominal)                                     |
| <b>Operating Temperature</b> | 41° to 131° F (5° to 55° C)                                 |

**NOTE:** For hard drives and solid state drives, GB = 1 billion bytes. TB = 1 trillion bytes. Actual formatted capacity is less. Up to 36 GB (for Windows 10) of system disk is reserved for the system recovery software.

#### 500GB 7200RPM 2.5in Self Encrypted Federal Information Processing Standard SATA HDD

|                              |   |
|------------------------------|---|
| <b>Capacity</b>              | 500 GB  |
| <b>Architecture</b>          | Self-Encrypting (SED) Solid State Drive with SATA interface |
| <b>Interface</b>             | SATA 6 Gb/s   |
| <b>Buffer Size</b>           | 128 MB  |
| <b>Logical Blocks</b>        | 976,773,168   |
| <b>Seek Time</b>             | 12 ms (Average)   |
| <b>Height</b>                | 0.283 in/7.2 mm (Max.)                                      |
| <b>Width</b>                 | 2.75 in/70 mm (nominal)                                     |
| <b>Operating Temperature</b> | 41° to 131° F (5° to 55° C)                                 |

**NOTE:** For hard drives and solid state drives, GB = 1 billion bytes. TB = 1 trillion bytes. Actual formatted capacity is less. Up to 36 GB (for Windows 10) of system disk is reserved for the system recovery software.

#### 256GB M.2 2280 PCIe NVMe SSD

|                                 |  |
|---------------------------------|--|
| <b>Drive Weight</b>             | < 10g                                    |
| <b>Capacity</b>                 | 256 GB                                   |
| <b>Height</b>                   | 2.38mm                                   |
| <b>Length</b>                   | 80mm                                     |
| <b>Width</b>                    | 22mm                                     |
| <b>Interface</b>                | PCIe Gen3                                |
| <b>Maximum Sequential Read</b>  | Up to 1600MB/s                           |
| <b>Maximum Sequential Write</b> | Up to 780MB/s                            |
| <b>Logical Blocks</b>           | 500,118,192                              |
| <b>Operating Temperature</b>    | 0° to 70°C (32° to 158°F) [ambient temp] |
| <b>Features</b>                 | APST; ASPM L1.2; NVME spec 1.2           |

**NOTE:** For hard drives and solid state drives, GB = 1 billion bytes. TB = 1 trillion bytes. Actual formatted capacity is less. Up to 36 GB (for Windows 10) of system disk is reserved for the system recovery software.



### Technical Specifications – Storage

#### 512GB M.2 2280 PCIe NVMe SSD

|                                 |  |
|---------------------------------|--|
| <b>Drive Weight</b>             | < 10g                                    |
| <b>Capacity</b>                 | 512 GB                                   |
| <b>Height</b>                   | 2.38mm                                   |
| <b>Length</b>                   | 80mm                                     |
| <b>Width</b>                    | 22mm                                     |
| <b>Interface</b>                | PCIe Gen3                                |
| <b>Maximum Sequential Read</b>  | Up to 1600MB/s                           |
| <b>Maximum Sequential Write</b> | Up to 860MB/s                            |
| <b>Logical Blocks</b>           | 1,000,215,216                            |
| <b>Operating Temperature</b>    | 0° to 70°C (32° to 158°F) [ambient temp] |
| <b>Features</b>                 | APST; ASPM L1.2; NVME spec 1.2           |

**NOTE:** For hard drives and solid state drives, GB = 1 billion bytes. TB = 1 trillion bytes. Actual formatted capacity is less. Up to 36 GB (for Windows 10) of system disk is reserved for the system recovery software.

#### 1TB M.2 2280 PCIe NVMe SSD

|                                 |  |
|---------------------------------|--|
| <b>Drive Weight</b>             | < 10g                                    |
| <b>Capacity</b>                 | 1 TB                                     |
| <b>Height</b>                   | 2.38mm                                   |
| <b>Length</b>                   | 80mm                                     |
| <b>Width</b>                    | 22mm                                     |
| <b>Interface</b>                | PCIe Gen3                                |
| <b>Maximum Sequential Read</b>  | Up to 2200MB/s                           |
| <b>Maximum Sequential Write</b> | Up to 1800MB/s                           |
| <b>Logical Blocks</b>           | 1,000,215,216                            |
| <b>Operating Temperature</b>    | 0° to 70°C (32° to 158°F) [ambient temp] |
| <b>Features</b>                 | APST; ASPM L1.2; NVME spec 1.2           |

**NOTE:** For hard drives and solid state drives, GB = 1 billion bytes. TB = 1 trillion bytes. Actual formatted capacity is less. Up to 36 GB (for Windows 10) of system disk is reserved for the system recovery software.

#### 256GB M.2 2280 PCIe NVMe Three Layer Cell SSD

|                                 |  |
|---------------------------------|--|
| <b>Drive Weight</b>             | < 10g                                    |
| <b>Capacity</b>                 | 256GB                                    |
| <b>Height</b>                   | 2.38mm                                   |
| <b>Length</b>                   | 80mm                                     |
| <b>Width</b>                    | 22mm                                     |
| <b>Interface</b>                | PCIe Gen3                                |
| <b>Maximum Sequential Read</b>  | Up to 2700MB/s                           |
| <b>Maximum Sequential Write</b> | Up to 1000MB/s                           |
| <b>Logical Blocks</b>           | 500,118,192                              |
| <b>Operating Temperature</b>    | 0° to 70°C (32° to 158°F) [ambient temp] |
| <b>Features</b>                 | APST; ASPM L1.2; NVME spec 1.2           |

**NOTE:** For hard drives and solid state drives, GB = 1 billion bytes. TB = 1 trillion bytes. Actual formatted capacity is less. Up to 36 GB (for Windows 10) of system disk is reserved for the system recovery software.

### Technical Specifications – Storage

#### 512GB M.2 2280 PCIe NVMe Three Layer Cell SSD

|                                 |  |
|---------------------------------|--|
| <b>Drive Weight</b>             | < 10g                                    |
| <b>Capacity</b>                 | 512 GB                                   |
| <b>Height</b>                   | 2.38mm                                   |
| <b>Length</b>                   | 80mm                                     |
| <b>Width</b>                    | 22mm                                     |
| <b>Interface</b>                | PCIe Gen3                                |
| <b>Maximum Sequential Read</b>  | Up to 2900MB/s                           |
| <b>Maximum Sequential Write</b> | Up to 1100MB/s                           |
| <b>Logical Blocks</b>           | 1,000,215,216                            |
| <b>Operating Temperature</b>    | 0° to 70°C (32° to 158°F) [ambient temp] |
| <b>Features</b>                 | APST; ASPM L1.2; NVME spec 1.2           |

**NOTE:** For hard drives and solid state drives, GB = 1 billion bytes. TB = 1 trillion bytes. Actual formatted capacity is less. Up to 36 GB (for Windows 10) of system disk is reserved for the system recovery software.

#### 1TB M.2 2280 PCIe NVMe Three Layer Cell SSD

|                                 |  |
|---------------------------------|--|
| <b>Drive Weight</b>             | < 10g                                    |
| <b>Capacity</b>                 | 1 TB                                     |
| <b>Height</b>                   | 2.38mm                                   |
| <b>Length</b>                   | 80mm                                     |
| <b>Width</b>                    | 22mm                                     |
| <b>Interface</b>                | PCIe Gen3                                |
| <b>Maximum Sequential Read</b>  | Up to 3480MB/s                           |
| <b>Maximum Sequential Write</b> | Up to 3037MB/s                           |
| <b>Logical Blocks</b>           | 2,000,409,264                            |
| <b>Operating Temperature</b>    | 0° to 70°C (32° to 158°F) [ambient temp] |
| <b>Features</b>                 | TRIM; ASPM L1.2                          |

**NOTE:** For hard drives and solid state drives, GB = 1 billion bytes. TB = 1 trillion bytes. Actual formatted capacity is less. Up to 36 GB (for Windows 10) of system disk is reserved for the system recovery software.

#### 2TB M.2 2280 PCIe NVMe Three Layer Cell SSD

|                                 |  |
|---------------------------------|--|
| <b>Drive Weight</b>             | < 10g                                    |
| <b>Capacity</b>                 | 2 TB                                     |
| <b>Height</b>                   | 2.38mm                                   |
| <b>Length</b>                   | 80mm                                     |
| <b>Width</b>                    | 22mm                                     |
| <b>Interface</b>                | PCIe Gen3                                |
| <b>Maximum Sequential Read</b>  | Up to 3500MB/s                           |
| <b>Maximum Sequential Write</b> | Up to 3000MB/s                           |
| <b>Logical Blocks</b>           | 3,907,029,168                            |
| <b>Operating Temperature</b>    | 0° to 70°C (32° to 158°F) [ambient temp] |
| <b>Features</b>                 | TRIM; ASPM L1.2                          |

**NOTE:** For hard drives and solid state drives, GB = 1 billion bytes. TB = 1 trillion bytes. Actual formatted capacity is less. Up to 36 GB (for Windows 10) of system disk is reserved for the system recovery software.

### Technical Specifications – Storage

#### 256GB M.2 2280 PCIe NVMe Self Encrypted OPAL2 Three Layer Cell SSD

|                                 |  |
|---------------------------------|--|
| <b>Drive Weight</b>             | < 10g  |
| <b>Capacity</b>                 | 256 GB   |
| <b>Height</b>                   | 2.38mm   |
| <b>Length</b>                   | 80mm   |
| <b>Width</b>                    | 22mm   |
| <b>Interface</b>                | PCIe Gen3  |
| <b>Maximum Sequential Read</b>  | Up to 2700MB/s                                     |
| <b>Maximum Sequential Write</b> | Up to 1000MB/s                                     |
| <b>Logical Blocks</b>           | 500,118,192  |
| <b>Operating Temperature</b>    | 0° to 70°C (32° to 158°F) [ambient temp]           |
| <b>Features</b>                 | APST; ASPM L1.2; NVME spec 1.2; TCG-OPAL2 security |

**NOTE:** For hard drives and solid state drives, GB = 1 billion bytes. TB = 1 trillion bytes. Actual formatted capacity is less. Up to 36 GB (for Windows 10) of system disk is reserved for the system recovery software.

#### 512GB M.2 2280 PCIe NVMe Self Encrypted OPAL2 Three Layer Cell SSD

|                                 |  |
|---------------------------------|--|
| <b>Drive Weight</b>             | < 10g  |
| <b>Capacity</b>                 | 512 GB   |
| <b>Height</b>                   | 2.38mm   |
| <b>Length</b>                   | 80mm   |
| <b>Width</b>                    | 22mm   |
| <b>Interface</b>                | PCIe Gen3  |
| <b>Maximum Sequential Read</b>  | Up to 2900MB/s                                     |
| <b>Maximum Sequential Write</b> | Up to 1100MB/s                                     |
| <b>Logical Blocks</b>           | 1,000,215,216                                      |
| <b>Operating Temperature</b>    | 0° to 70°C (32° to 158°F) [ambient temp]           |
| <b>Features</b>                 | APST; ASPM L1.2; NVME spec 1.2; TCG-OPAL2 security |

**NOTE:** For hard drives and solid state drives, GB = 1 billion bytes. TB = 1 trillion bytes. Actual formatted capacity is less. Up to 36 GB (for Windows 10) of system disk is reserved for the system recovery software.

#### 256GB Intel® PCIe® NVMe™ QLC + 16 GB Intel® Optane™

|                                 |  |
|---------------------------------|--|
| <b>Drive Weight</b>             | < 10g                                    |
| <b>Capacity</b>                 | 256 GB                                   |
| <b>Height</b>                   | 2.38mm                                   |
| <b>Length</b>                   | 80mm                                     |
| <b>Width</b>                    | 22mm                                     |
| <b>Interface</b>                | PCIe Gen3                                |
| <b>Maximum Sequential Read</b>  | Up to 1450MB/s                           |
| <b>Maximum Sequential Write</b> | Up to 500MB/s                            |
| <b>Logical Blocks</b>           | 500,118,192                              |
| <b>Operating Temperature</b>    | 0° to 70°C (32° to 158°F) [ambient temp] |
| <b>Features</b>                 | TRIM; ASPM L1.2                          |

**NOTE:** For hard drives and solid state drives, GB = 1 billion bytes. TB = 1 trillion bytes. Actual formatted capacity is less. Up to 36 GB (for Windows 10) of system disk is reserved for the system recovery software.

### Technical Specifications – Storage

#### 512GB Intel® PCIe® NVMe™ QLC + 32 GB Intel® Optane™

|                                 |  |
|---------------------------------|--|
| <b>Drive Weight</b>             | < 10g                                    |
| <b>Capacity</b>                 | 512 GB                                   |
| <b>Height</b>                   | 2.38mm                                   |
| <b>Length</b>                   | 80mm                                     |
| <b>Width</b>                    | 22mm                                     |
| <b>Interface</b>                | PCIe Gen3                                |
| <b>Maximum Sequential Read</b>  | Up to 2400MB/s                           |
| <b>Maximum Sequential Write</b> | Up to 1300MB/s                           |
| <b>Logical Blocks</b>           | 1,000,215,215                            |
| <b>Operating Temperature</b>    | 0° to 70°C (32° to 158°F) [ambient temp] |
| <b>Features</b>                 | TRIM; ASPM L1.2                          |

**NOTE:** For hard drives and solid state drives, GB = 1 billion bytes. TB = 1 trillion bytes. Actual formatted capacity is less. Up to 36 GB (for Windows 10) of system disk is reserved for the system recovery software.

#### 256GB M.2 2280 PCIe NVMe Three Layer Cell SSD

|                                 |  |
|---------------------------------|--|
| <b>Drive Weight</b>             | < 10g                                    |
| <b>Capacity</b>                 | 256GB                                    |
| <b>Height</b>                   | 2.38mm                                   |
| <b>Length</b>                   | 80mm                                     |
| <b>Width</b>                    | 22mm                                     |
| <b>Interface</b>                | PCIe Gen4                                |
| <b>Maximum Sequential Read</b>  | Up to 6400MB/s                           |
| <b>Minimum Sequential Write</b> | Up to 2700MB/s                           |
| <b>Logical Blocks</b>           | 500,118,192                              |
| <b>Operating Temperature</b>    | 0° to 70°C (32° to 158°F) [ambient temp] |
| <b>Features</b>                 | APST; ASPM L1.2; NVME spec 1.2           |

**NOTE:** For hard drives and solid state drives, GB = 1 billion bytes. TB = 1 trillion bytes. Actual formatted capacity is less. Up to 36 GB (for Windows 10) of system disk is reserved for the system recovery software.

#### 512GB M.2 2280 PCIe NVMe Three Layer Cell SSD

|                                 |  |
|---------------------------------|--|
| <b>Drive Weight</b>             | < 10g                                    |
| <b>Capacity</b>                 | 512 GB                                   |
| <b>Height</b>                   | 2.38mm                                   |
| <b>Length</b>                   | 80mm                                     |
| <b>Width</b>                    | 22mm                                     |
| <b>Interface</b>                | PCIe Gen4                                |
| <b>Maximum Sequential Read</b>  | Up to 6600MB/s                           |
| <b>Maximum Sequential Write</b> | Up to 5100MB/s                           |
| <b>Logical Blocks</b>           | 1,000,215,216                            |
| <b>Operating Temperature</b>    | 0° to 70°C (32° to 158°F) [ambient temp] |
| <b>Features</b>                 | APST; ASPM L1.2; NVME spec 1.2           |

**NOTE:** For hard drives and solid state drives, GB = 1 billion bytes. TB = 1 trillion bytes. Actual formatted capacity is less. Up to 36 GB (for Windows 10) of system disk is reserved for the system recovery software.

## Technical Specifications – Storage

**1TB M.2 2280 PCIe NVMe Three Layer Cell SSD**

|                                 |  |
|---------------------------------|--|
| <b>Drive Weight</b>             | < 10g                                    |
| <b>Capacity</b>                 | 1 TB                                     |
| <b>Height</b>                   | 2.38mm                                   |
| <b>Length</b>                   | 80mm                                     |
| <b>Width</b>                    | 22mm                                     |
| <b>Interface</b>                | PCIe Gen4                                |
| <b>Maximum Sequential Read</b>  | Up to 7100MB/s                           |
| <b>Maximum Sequential Write</b> | Up to 5200MB/s                           |
| <b>Logical Blocks</b>           | 2,000,409,264                            |
| <b>Operating Temperature</b>    | 0° to 70°C (32° to 158°F) [ambient temp] |
| <b>Features</b>                 | TRIM; ASPM L1.2                          |

**NOTE:** For hard drives and solid state drives, GB = 1 billion bytes. TB = 1 trillion bytes. Actual formatted capacity is less. Up to 36 GB (for Windows 10) of system disk is reserved for the system recovery software.

**2TB M.2 2280 PCIe NVMe Three Layer Cell SSD**

|                                 |  |
|---------------------------------|--|
| <b>Drive Weight</b>             | < 10g                                    |
| <b>Capacity</b>                 | 2 TB                                     |
| <b>Height</b>                   | 2.38mm                                   |
| <b>Length</b>                   | 80mm                                     |
| <b>Width</b>                    | 22mm                                     |
| <b>Interface</b>                | PCIe Gen4                                |
| <b>Maximum Sequential Read</b>  | Up to 7100MB/s                           |
| <b>Maximum Sequential Write</b> | Up to 5200MB/s                           |
| <b>Logical Blocks</b>           | 4,000,797,360                            |
| <b>Operating Temperature</b>    | 0° to 70°C (32° to 158°F) [ambient temp] |
| <b>Features</b>                 | TRIM; ASPM L1.2                          |

**NOTE:** For hard drives and solid state drives, GB = 1 billion bytes. TB = 1 trillion bytes. Actual formatted capacity is less. Up to 36 GB (for Windows 10) of system disk is reserved for the system recovery software.

**OPTICAL DISC DRIVES****HP 9.5mm Slim DVD-ROM Drive**

|                               |   |
|-------------------------------|---|
| <b>Height</b>                 | 9.5 mm height   |
| <b>Orientation</b>            | Either horizontal or vertical   |
| <b>Interface type</b>         | SATA/ATAPI  |
| <b>Dimensions (W x H x D)</b> | 5.04 x 0.37 x 5.0 in (128 x 9.5 x 127 mm) without bezel   |
| <b>Weight (max)</b>           | Up to 0.31 lb (140g) without bezel  |
| <b>Read Speeds</b>            | DVD+R/-R/+RW/<br>-RW/+R DL /-R DL Up to 8X<br>DVD-ROM Up to 8X<br>CD-ROM, CD-R Up to 24X<br>CD-RW Up to 24X |
| <b>Access time</b>            | Random: DVD-ROM: 170 ms (typical), CD-ROM: 170 ms (typical)   |

### Technical Specifications – Storage

|  |  |
|--|--|
| <b>(typical reads, including settling)</b>                   | Full stroke: DVD-ROM: 320 ms (typical), CD-ROM: 320 ms (typical)   |
| <b>Power</b>   | Source Slimline SATA DC power receptacle<br>DC Power Requirement 5 VDC ± 5%-100 mV ripple p-p<br>DC Current 5 VDC (< 1000 mA typical, 1600 mA maximum) |
| <b>Environmental conditions (operating - non-condensing)</b> | Temperature 41° to 122° F (5° to 50° C)<br>Relative Humidity 10% to 80%<br>Maximum Wet Bulb Temperature 84° F (29° C)                                  |

#### HP 9.5mm Slim DVD Writer Drive

|  |  |
|--|--|
| <b>Height</b>  | 9.5 mm height  |
| <b>Orientation</b>   | Either horizontal or vertical  |
| <b>Interface type</b>  | SATA/ATAPI   |
| <b>Disc recording capacity</b>                               | Up to 8.5 GB DL or 4.7 GB standard   |
| <b>Dimensions (W x H x D)</b>                                | 5.04 x 0.37 x 5.0 in (128 x 9.5 x 127 mm) without bezel  |
| <b>Weight (max)</b>  | 0.31 lb (140 g)  |
| <b>Write Speeds</b>  | DVD-R DL - Up to 6X<br>DVD+R - Up to 8X<br>DVD+RW - Up to 8X<br>DVD+R DL - Up to 6X<br>DVD-R - Up to 8X<br>DVD-RW - Up to 6X<br>CD-R - Up to 24X<br>CD-RW - Up to 10X<br>DVD-RW, DVD+RW - Up to 8X |
| <b>Read Speeds</b>   | DVD-R DL, DVD+R DL - Up to 8X<br>DVD+R, DVD-R - Up to 8X<br>DVD-ROM DL, DVD-ROM - Up to 8X<br>CD-ROM, CD-R - Up to 24X<br>CD-RW - Up to 24X  |
| <b>Access time (typical reads, including settling)</b>       | Random DVD-ROM: 170 ms (typical), CD-ROM: 170 ms (typical)<br>Full Stroke DVD-ROM: 320 ms (typical), CD-ROM: 320 ms (typical)<br>Stop Time 6 seconds (typical)                                     |
| <b>Power</b>   | Source Slimline SATA DC power receptacle<br>DC Power Requirement 5 VDC ± 5%-100 mV ripple p-p<br>DC Current 5 VDC (< 1000 mA typical, 1600 mA maximum)   |
| <b>Environmental conditions (operating - non-condensing)</b> | Temperature 41° to 122° F (5° to 50° C)<br>Relative Humidity 10% to 80%<br>Maximum Wet Bulb Temperature 84° F (29° C)  |

### Technical Specifications – Networking and Communications

#### NETWORKING AND COMMUNICATIONS

| <b>Intel® I219-LM 1 Gigabit Network Connection LOM (vPro)</b> |   |
|---|---|
| <b>Connector</b>  | RJ-45   |
| <b>System Interface</b>                                       | PCI (Intel proprietary) + SMBus   |
| <b>Data rates supported</b>                                   | 10 Mbit/s operation (10BASE-T; IEEE 802.3i; IEEE 802.3 clauses 13-14)<br>100 Mbit/s operation (100BASE-TX; IEEE 802.3u; IEEE 802.3 clauses 21-30)<br>1000 Mbit/s operation (1000BASE-T; IEEE 802.3ab; IEEE 8023 clauses 40)<br>Auto-Negotiation (Automatic Speed Selection)<br>Full Duplex Operation at all Speeds, Half Duplex operation at 10 and 100 Mbit/s          |
| <b>IEEE Compliance</b>  | IEEE 802.1p QoS (Quality of Service) Support<br>IEEE 802.1q VLAN support<br>IEEE 802.3x Flow Control (IEEE 802.3 clauses 31-32; configurable)<br>IEEE 802.3az EEE (Energy Efficient Ethernet)   |
| <b>Performance</b>  | TCP/IP/UDP Checksum Offload (configurable)<br>Protocol Offload (ARP & NS)<br>Large send offload and Giant send offload<br>Receiving Side Scaling (Hash Mode Only)<br>Jumbo Frame 9K   |
| <b>Power consumption</b>                                      | Cable Disconnection: 25mW<br>100Mbps Full Run: 450mW<br>1000bp Full Run: 1000mW<br>WoL Enable(S3/S4/S5): 50mW<br>WoL Disable(S3/S4/S5): 25mW  |
| <b>Power Management</b>                                       | ACPI compliant – multiple power modes<br>Situation-sensitive features reduce power consumption<br>Advanced link down power saving for reducing link down power consumption  |
| <b>Management Interface</b>                                   | Auto MDI/MDIX Crossover cable detection   |
| <b>IT Manageability</b>                                       | Wake-on-LAN from modern standby or sleep state (Magic Packet and Microsoft Wake-Up Frame);<br>Wake-on-LAN from off (Magic Packet only)<br>PXE 2.1 Remote Boot<br>Statistics Gathering (SNMP MIB II, Ethernet-like MIB, Ethernet MIB (802.3x, clause 30))<br>Comprehensive diagnostic and configuration software suite<br>Virtual Cable Doctor for Ethernet cable status |
| <b>Security &amp; Manageability</b>                           | Intel® vPro® support with appropriate Intel® chipset components   |

| <b>Intel® I225-LM 2.5 Gigabit Network Connection LOM (non-vPro)</b> |  |
|---|--|
| <b>Connector</b>  | RJ-45  |
| <b>System Interface</b>   | PCI (Intel proprietary) + SMBus  |
| <b>Data rates supported</b>   | 1. 10 Mbit/s operation (10BASE-T; IEEE 802.3i; IEEE 802.3 clauses 13-14)<br>2. 100 Mbit/s operation (100BASE-TX; IEEE 802.3u; IEEE 802.3 clauses 21-30)<br>3. 1000 Mbit/s operation (1000BASE-T; IEEE 802.3ab; IEEE 802.3 clauses 40)<br>4. 2.5 Gbit/s operation (2.5GBASE-T; IEEE 802.3bz Clause 126)<br>5. Auto-Negotiation (Automatic Speed Selection)<br>Full Duplex Operation at all Speeds, Half Duplex operation at 10, 100 & 1000 Mbit/s |
| <b>IEEE Compliance</b>  | IEEE 802.1p QoS (Quality of Service) Support<br>IEEE 802.1q VLAN support<br>IEEE 802.3x Flow Control (IEEE 802.3 clauses 31-32; configurable)<br>IEEE 802.3az EEE (Energy Efficient Ethernet)<br>IEEE 802.3i 10BASE-T<br>IEEE 802.3u 100BASE-TX<br>IEEE 802.3ab 1000BAE-T<br>IEEE 802.3bz 2.5GBASE-T   |

### Technical Specifications – Networking and Communications

|                                     |   |
|-------------------------------------|---|
| <b>Performance</b>                  | TCP/IP/UDP Checksum Offload (configurable)<br>Protocol Offload (ARP & NS)<br>Large send offload and Giant send offload<br>Receiving Side Scaling (hash mode only)<br>Jumbo Frame 9K   |
| <b>Power consumption</b>            | Cable Disconnection: 25mW<br>100Mbps Full Run: 450mW<br>1000bp Full Run: 1000mW<br>WoL Enable(S3/S4/S5): 50mW<br>WoL Disable(S3/S4/S5): 25mW  |
| <b>Power Management</b>             | ACPI compliant – multiple power modes<br>Situation-sensitive features reduce power consumption<br>Advanced link down power saving for reducing link down power consumption  |
| <b>Management Interface</b>         | Auto MDI/MDIX Crossover cable detection   |
| <b>IT Manageability</b>             | Wake-on-LAN from modern standby or sleep state (Magic Packet and Microsoft Wake-Up Frame);<br>Wake-on-LAN from off (Magic Packet only)<br>PXE 2.1 Remote Boot<br>Statistics Gathering (SNMP MIB II, Ethernet-like MIB, Ethernet MIB (802.3x, clause 30))<br>Comprehensive diagnostic and configuration software suite<br>Virtual Cable Doctor for Ethernet cable status |
| <b>Security &amp; Manageability</b> | Intel® vPro® support with appropriate Intel® chipset components   |



### Technical Specifications – Networking and Communications

| <b>Intel® i210 10/100/1000 NIC</b>  |   |
|-------------------------------------|---|
| <b>Connector</b>                    | RJ-45   |
| <b>System Interface</b>             | PCI (Intel proprietary) + SMBus   |
| <b>Data rates supported</b>         | 10 Mbit/s operation (10BASE-T; IEEE 802.3i; IEEE 802.3 clauses 13-14)<br>100 Mbit/s operation (100BASE-TX; IEEE 802.3u; IEEE 802.3 clauses 21-30)<br>1000 Mbit/s operation (1000BASE-T; IEEE 802.3ab; IEEE 802.3 clauses 40)<br>Auto-Negotiation (Automatic Speed Selection)<br>Full Duplex Operation at all Speeds, Half Duplex operation at 10 and 100 Mbit/s   |
| <b>IEEE Compliance</b>              | IEEE 802.1p QoS (Quality of Service) Support<br>IEEE 802.1q VLAN support<br>IEEE 802.3x Flow Control (IEEE 802.3 clauses 31-32; configurable)<br>IEEE 802.3az EEE (Energy Efficient Ethernet)   |
| <b>Performance</b>                  | TCP/IP/UDP Checksum Offload (configurable)<br>Protocol Offload (ARP & NS)<br>Large send offload and Giant send offload<br>Receiving Side Scaling<br>Jumbo Frame 9K  |
| <b>Power consumption</b>            | Cable Disconnection: 25mW<br>100Mbps Full Run: 450mW<br>1000bp Full Run: 1000mW<br>WoL Enable(S3/S4/S5): 50mW<br>WoL Disable(S3/S4/S5): 25mW  |
| <b>Power Management</b>             | ACPI compliant – multiple power modes<br>Situation-sensitive features reduce power consumption<br>Advanced link down power saving for reducing link down power consumption  |
| <b>Management Interface</b>         | Auto MDI/MDIX Crossover cable detection   |
| <b>IT Manageability</b>             | Wake-on-LAN from standby and hibernation (Magic Packet and Microsoft Wake-Up Frame);<br>Wake-on-LAN from off (Magic Packet only)<br>PXE 2.1 Remote Boot<br>Statistics Gathering (SNMP MIB II, Ethernet-like MIB, Ethernet MIB (802.3x, clause 30))<br>Comprehensive diagnostic and configuration software suite<br>Virtual Cable Doctor for Ethernet cable status |
| <b>Security &amp; Manageability</b> | Intel® vPro® support with appropriate Intel® chipset components   |

### Technical Specifications – Networking and Communications

| <b>Intel Wi-Fi 6 AX201 + BT5.1 (802.11ax 2x2, vPro, supporting gigabit data rate*) vPro</b>   |   |
|---|---|
| <b>NOTE*</b> Wi-Fi 6 is designed to support gigabit data rate when transferring files between two devices connected to the same router. Requires a wireless router, sold separately, that supports 80MHz and higher channels. |   |
| <b>Wireless LAN Standards</b>   | IEEE 802.11a<br>IEEE 802.11b<br>IEEE 802.11g<br>IEEE 802.11n<br>IEEE 802.11ac<br>IEEE 802.11ax<br>IEEE 802.11d<br>IEEE 802.11e<br>IEEE 802.11h<br>IEEE 802.11i<br>IEEE 802.11k<br>IEEE 802.11r<br>IEEE 802.11v  |
| <b>Interoperability</b>   | Wi-Fi CERTIFIED™  |
| <b>Frequency Band</b>   | 802.11b/g/n/ax<br>• 2.402 – 2.482 GHz<br>802.11a/n/ac/ax<br>• 4.9 – 4.95 GHz (Japan)<br>• 5.15 – 5.25 GHz<br>• 5.25 – 5.35 GHz<br>• 5.47 – 5.725 GHz<br>• 5.825 – 5.850 GHz   |
| <b>Data Rates</b>   | • 802.11b: 1, 2, 5.5, 11 Mbps<br>• 802.11g: 6, 9, 12, 18, 24, 36, 48, 54 Mbps<br>• 802.11a: 6, 9, 12, 18, 24, 36, 48, 54 Mbps<br>• 802.11n: MCS 0 ~ MCS 15, (20MHz, and 40MHz)<br>• 802.11ac : MCS0 ~ MCS9, (1SS, and 2SS) (20MHz, 40MHz, ,80MHz & 160MHz)<br>• 802.11ax : MCS0 ~ MCS11, (1SS and 2SS) (20MHz, 40MHz, ,80MHz & 160MHz)  |
| <b>Modulation</b>   | Direct Sequence Spread Spectrum<br>OFDM, BPSK, QPSK, CCK, 16-QAM, 64-QAM, 256-QAM, 1024QAM  |
| <b>Security<sup>3</sup></b>   | • IEEE and Wi-Fi CERTIFIED™ 64/128bit WEP encryption for a/b/g mode only<br>• AES-CCMP: 128 bit in hardware<br>• 802.1x authentication<br>• WPA, WPA2: 802.1x. WPA-PSK, WPA2-PSK, TKIP, and AES.<br>• WPA2 certification<br>• WPA3 certification<br>• IEEE 802.11i<br>• WAPI  |
| <b>Network Architecture Models</b>  | Ad-hoc (Peer to Peer)<br>Infrastructure (Access Point Required)   |
| <b>Roaming</b>  | IEEE 802.11 compliant roaming between access points   |
| <b>Output Power<sup>2</sup></b>   | • 802.11b : +17dBm minimum<br>• 802.11g : +16dBm minimum<br>• 802.11a : +17dBm minimum<br>• 802.11n HT20(2.4GHz) : +14dBm minimum<br>• 802.11n HT40(2.4GHz) : +13dBm minimum<br>• 802.11n HT20(5GHz) : +14dBm minimum<br>• 802.11n HT40(5GHz) : +13dBm minimum<br>• 802.11ac VHT80(5GHz) : +10dBm minimum<br>• 802.11ac VHT160(5GHz) : +10dBm minimum<br>• 802.11ax HE40(2.4GHz) : +12dBm minimum |

### Technical Specifications – Networking and Communications

|   |   |           |                               |               |                                |
|---|---|-----------|-------------------------------|---------------|--------------------------------|
|   | <ul style="list-style-type: none"> <li>• 802.11ax HE80(5GHz) : +10dBm minimum</li> <li>• 802.11ax HE160(5GHz) : +10dBm minimum</li> </ul>   |           |                               |               |                                |
| <b>Power Consumption</b>  | <ul style="list-style-type: none"> <li>• Transmit mode: 2.0 W</li> <li>• Receive mode: 1.6 W</li> <li>• Idle mode (PSP) 180 mW (WLAN Associated)</li> <li>• Idle mode: 50 mW (WLAN unassociated)</li> <li>• Connected Standby: 10mW</li> <li>• Radio disabled: 8 mW</li> </ul>  |           |                               |               |                                |
| <b>Power Management</b>   | ACPI and PCI Express compliant power management<br>802.11 compliant power saving mode   |           |                               |               |                                |
| <b>Receiver Sensitivity<sup>3</sup></b>   | <ul style="list-style-type: none"> <li>• 802.11b, 1Mbps: -93.5dBm maximum</li> <li>• 802.11b, 11Mbps: -84dBm maximum</li> <li>• 802.11a/g, 6Mbps: -86dBm maximum</li> <li>• 802.11a/g, 54Mbps: -72dBm maximum</li> <li>• 802.11n, MCS07: -67dBm maximum</li> <li>• 802.11n, MCS15: -64dBm maximum</li> <li>• 802.11ac, MCS0(VHT80): -84dBm maximum</li> <li>• 802.11ac, MCS9(VHT80): -59dBm maximum</li> <li>• 802.11ac, MCS9(VHT160): -58.5dBm maximum</li> <li>• 802.11 ax, MCS11(HE40): -57dBm maximum</li> <li>• 802.11 ax, MCS11(HE80): -54dBm maximum</li> <li>• 802.11 ax, MCS11(HE160): -53.5dBm maximum</li> </ul> |           |                               |               |                                |
| <b>Antenna type</b>   | High efficiency antenna with spatial diversity, mounted in the display enclosure<br>Two embedded dual band 2.4/5 GHz antennas are provided to the card to support WLAN MIMO communications and Bluetooth communications   |           |                               |               |                                |
| <b>Form Factor</b>  | PCI-Express M.2 MiniCard with CNVi Interface  |           |                               |               |                                |
| <b>Dimensions</b>   | 1. Type 2230: 2.3 x 22.0 x 30.0 mm<br>2. Type 1216: 1.67 x 12.0 x 16.0 mm   |           |                               |               |                                |
| <b>Weight</b>   | 1. Type 2230: 2.8g<br>2. Type 1216: 1.3g  |           |                               |               |                                |
| <b>Operating Voltage</b>  | 3.3v +/- 9%   |           |                               |               |                                |
| <b>Temperature</b>  | <table border="1"> <tr> <td>Operating</td> <td>14° to 158° F (-10° to 70° C)</td> </tr> <tr> <td>Non-operating</td> <td>-40° to 176° F (-40° to 80° C)</td> </tr> </table>  | Operating | 14° to 158° F (-10° to 70° C) | Non-operating | -40° to 176° F (-40° to 80° C) |
| Operating   | 14° to 158° F (-10° to 70° C)   |           |                               |               |                                |
| Non-operating   | -40° to 176° F (-40° to 80° C)  |           |                               |               |                                |
| <b>Humidity</b>   | <table border="1"> <tr> <td>Operating</td> <td>10% to 90% (non-condensing)</td> </tr> <tr> <td>Non-operating</td> <td>5% to 95% (non-condensing)</td> </tr> </table>  | Operating | 10% to 90% (non-condensing)   | Non-operating | 5% to 95% (non-condensing)     |
| Operating   | 10% to 90% (non-condensing)   |           |                               |               |                                |
| Non-operating   | 5% to 95% (non-condensing)  |           |                               |               |                                |
| <b>Altitude</b>   | <table border="1"> <tr> <td>Operating</td> <td>0 to 10,000 ft (3,048 m)</td> </tr> <tr> <td>Non-operating</td> <td>0 to 50,000 ft (15,240 m)</td> </tr> </table>  | Operating | 0 to 10,000 ft (3,048 m)      | Non-operating | 0 to 50,000 ft (15,240 m)      |
| Operating   | 0 to 10,000 ft (3,048 m)  |           |                               |               |                                |
| Non-operating   | 0 to 50,000 ft (15,240 m)   |           |                               |               |                                |
| <b>LED Activity</b>   | LED Amber – Radio OFF; LED White – Radio ON   |           |                               |               |                                |
| <b>HP Integrated Module with Bluetooth® 4.0/4.1/4.2/5.0/5.1 Wireless Technology</b> |   |           |                               |               |                                |
| <b>Bluetooth® Specification</b>   | 4.0/4.1/4.2/5.0/5.1 Compliant   |           |                               |               |                                |
| <b>Frequency Band</b>   | 2402 to 2480 MHz  |           |                               |               |                                |
| <b>Number of Available Channels</b>   | Legacy: 0~79 (1 MHz/CH)<br>BLE: 0~39 (2 MHz/CH)   |           |                               |               |                                |
| <b>Data Rates and Throughput</b>  | Legacy: 3 Mbps data rate; throughput up to 2.17 Mbps<br>BLE: 1 Mbps data rate; throughput up to 0.2 Mbps<br>Legacy: Synchronous Connection Oriented links up to 3, 64 kbps, voice channels.<br>Legacy: Asynchronous Connection Less links 2178.1 kbps/177.1 kbps asymmetric (3-DH5) or 864 kbps symmetric (3-EV5)   |           |                               |               |                                |
| <b>Transmit Power</b>   | The Bluetooth® component shall operate as a Class II Bluetooth® device with a maximum transmit power of +9.5 dBm for BR and EDR.  |           |                               |               |                                |

### Technical Specifications – Networking and Communications

|  |  |
|--|--|
| <b>Power Consumption</b>                           | Peak (Tx) 330 mW<br>Peak (Rx) 230 mW<br>Selective Suspend 17 mW  |
| <b>Bluetooth® Software Supported Link Topology</b> | Microsoft Windows Bluetooth® Software  |
| <b>Power Management</b>                            | Microsoft Windows ACPI, and USB Bus Support  |
| <b>Certifications</b>                              | FCC (47 CFR) Part 15C, Section 15.247 & 15.249   |
| <b>Power Management Certifications</b>             | ETS 300 328, ETS 300 826<br>Low Voltage Directive IEC950<br>UL, CSA, and CE Mark   |
| <b>Bluetooth Profiles Supported</b>                | BT4.1-ESR 5/6/7 Compliance<br>LE Link Layer Ping<br>LE Dual Mode<br>LE Link Layer<br>LE Low Duty Cycle Directed Advertising<br>LE L2CAP Connection Oriented Channels<br>Train Nudging & Interlaced Scan<br>BT4.2 ESR08 Compliance<br>LE Secure Connection- Basic/Full<br>LE Privacy 1.2 –Link Layer Privacy<br>LE Privacy 1.2 –Extended Scanner Filter Policies<br>LE Data Packet Length Extension<br>FAX Profile (FAX)<br>Basic Imaging Profile (BIP)2<br>Headset Profile (HSP)<br>Hands Free Profile (HFP)<br>Advanced Audio Distribution Profile (A2DP)<br>BT5.1<br>ESR9/10 Compliance<br>LE Advertisement Extensions<br>Channel Selection Algo<br>Limited High Duty Cycle Non-Connectable Advertising<br>2Mbps LE<br>LE Long Range |
| <b>Security &amp; Manageability</b>                | Intel® vPro® support with appropriate Intel® chipset components  |

### Intel Wi-Fi 6 AX201 + BT5.1 (802.11ax 2x2, non-vPro, supporting gigabit data rate\*) non-vPro

**NOTE\*** Wi-Fi 6 is designed to support gigabit data rate when transferring files between two devices connected to the same router. Requires a wireless router, sold separately, that supports 80MHz and higher channels.

|                               |  |
|-------------------------------|--|
| <b>Wireless LAN Standards</b> | IEEE 802.11a<br>IEEE 802.11b<br>IEEE 802.11g<br>IEEE 802.11n<br>IEEE 802.11ac<br>IEEE 802.11ax<br>IEEE 802.11d<br>IEEE 802.11e<br>IEEE 802.11h<br>IEEE 802.11i<br>IEEE 802.11k<br>IEEE 802.11r |
|-------------------------------|--|

### Technical Specifications – Networking and Communications

|   |  |
|---|--|
|   | IEEE 802.11v   |
| <b>Interoperability</b>                 | Wi-Fi CERTIFIED™   |
| <b>Frequency Band</b>                   | 802.11b/g/n/ax<br><ul style="list-style-type: none"> <li>• 2.402 – 2.482 GHz</li> </ul> 802.11a/n/ac/ax<br><ul style="list-style-type: none"> <li>• 4.9 – 4.95 GHz (Japan)</li> <li>• 5.15 – 5.25 GHz</li> <li>• 5.25 – 5.35 GHz</li> <li>• 5.47 – 5.725 GHz</li> <li>• 5.825 – 5.850 GHz</li> </ul>   |
| <b>Data Rates</b>                       | <ul style="list-style-type: none"> <li>• 802.11b: 1, 2, 5.5, 11 Mbps</li> <li>• 802.11g: 6, 9, 12, 18, 24, 36, 48, 54 Mbps</li> <li>• 802.11a: 6, 9, 12, 18, 24, 36, 48, 54 Mbps</li> <li>• 802.11n: MCS 0 ~ MCS 15, (20MHz, and 40MHz)</li> <li>• 802.11ac : MCS0 ~ MCS9, (1SS, and 2SS) (20MHz, 40MHz, ,80MHz &amp; 160MHz)</li> <li>• 802.11ax : MCS0 ~ MCS11, (1SS and 2SS) (20MHz, 40MHz, ,80MHz &amp; 160MHz)</li> </ul>   |
| <b>Modulation</b>                       | Direct Sequence Spread Spectrum<br>OFDM, BPSK, QPSK, CCK, 16-QAM, 64-QAM, 256-QAM, 1024QAM   |
| <b>Security<sup>3</sup></b>             | <ul style="list-style-type: none"> <li>• IEEE compliant 64 / 128 bit WEP encryption for a/b/g mode only</li> <li>• AES-CCMP: 128 bit in hardware</li> <li>• 802.1x authentication</li> <li>• WPA, WPA2: 802.1x. WPA-PSK, WPA2-PSK, TKIP, and AES.</li> <li>• WPA2 certification</li> <li>• IEEE 802.11i</li> <li>• WAPI</li> </ul>   |
| <b>Network Architecture Models</b>      | Ad-hoc (Peer to Peer)<br>Infrastructure (Access Point Required)  |
| <b>Roaming</b>                          | IEEE 802.11 compliant roaming between access points  |
| <b>Output Power<sup>2</sup></b>         | <ul style="list-style-type: none"> <li>• 802.11b: +17dBm minimum</li> <li>• 802.11g: +16dBm minimum</li> <li>• 802.11a: +17dBm minimum</li> <li>• 802.11n HT20(2.4GHz): +14dBm minimum</li> <li>• 802.11n HT40(2.4GHz): +13dBm minimum</li> <li>• 802.11n HT20(5GHz): +14dBm minimum</li> <li>• 802.11n HT40(5GHz): +13dBm minimum</li> <li>• 802.11ac VHT80(5GHz): +10dBm minimum</li> <li>• 802.11ac VHT160(5GHz): +10dBm minimum</li> <li>• 802.11ax HE40(2.4GHz): +12dBm minimum</li> <li>• 802.11ax HE80(5GHz): +10dBm minimum</li> <li>• 802.11ax HE160(5GHz): +10dBm minimum</li> </ul> |
| <b>Power Consumption</b>                | <ul style="list-style-type: none"> <li>• Transmit mode 2.0 W</li> <li>• Receive mode 1.6 W</li> <li>• Idle mode (PSP) 180 mW (WLAN Associated)</li> <li>• Idle mode 50 mW (WLAN unassociated)</li> <li>• Connected Standby:10mW</li> <li>• Radio disabled 8 mW</li> </ul>  |
| <b>Power Management</b>                 | ACPI and PCI Express compliant power management<br>802.11 compliant power saving mode  |
| <b>Receiver Sensitivity<sup>3</sup></b> | <ul style="list-style-type: none"> <li>• 802.11b, 1Mbps: -93.5dBm maximum</li> <li>• 802.11b, 11Mbps: -84dBm maximum</li> <li>• 802.11a/g, 6Mbps: -86dBm maximum</li> <li>• 802.11a/g, 54Mbps: -72dBm maximum</li> <li>• 802.11n, MCS07: -67dBm maximum</li> <li>• 802.11n, MCS15: -64dBm maximum</li> <li>• 802.11ac, MCS0(VHT80): -84dBm maximum</li> </ul>  |

### Technical Specifications – Networking and Communications

|   |   |                                |
|---|---|--------------------------------|
|   | <ul style="list-style-type: none"> <li>• 802.11ac, MCS9(VHT80): -59dBm maximum</li> <li>• 802.11ac, MCS9(VHT160): -58.5dBm maximum</li> <li>• 802.11ax, MCS11(HE40): -57dBm maximum</li> <li>• 802.11ax, MCS11(HE80): -54dBm maximum</li> <li>• 802.11ax, MCS11(HE160): -53.5dBm maximum</li> </ul>                   |                                |
| <b>Antenna type</b>   | High efficiency antenna with spatial diversity, mounted in the display enclosure<br>Two embedded dual band 2.4/5 GHz antennas are provided to the card to support WLAN MIMO communications and Bluetooth communications   |                                |
| <b>Form Factor</b>  | PCI-Express M.2 MiniCard with CNVi Interface  |                                |
| <b>Dimensions</b>   | 1. Type 2230: 2.3 x 22.0 x 30.0 mm<br>2. Type 1216: 1.67 x 12.0 x 16.0 mm   |                                |
| <b>Weight</b>   | 1. Type 2230: 2.8g<br>2. Type 126: 1.3g   |                                |
| <b>Operating Voltage</b>  | 3.3v +/- 9%   |                                |
| <b>Temperature</b>  | Operating   | 14° to 158° F (-10° to 70° C)  |
|   | Non-operating   | -40° to 176° F (-40° to 80° C) |
| <b>Humidity</b>   | Operating   | 10% to 90% (non-condensing)    |
|   | Non-operating   | 5% to 95% (non-condensing)     |
| <b>Altitude</b>   | Operating   | 0 to 10,000 ft (3,048 m)       |
|   | Non-operating   | 0 to 50,000 ft (15,240 m)      |
| <b>LED Activity</b>   | LED Amber – Radio OFF; LED Off – Radio ON   |                                |
| <b>HP Integrated Module with Bluetooth® 4.0/4.1/4.2/5.0/5.1 Wireless Technology</b> |   |                                |
| <b>Bluetooth® Specification</b>   | 4.0/4.1/4.2/5.0/5.1 Compliant   |                                |
| <b>Frequency Band</b>   | 2402 to 2480 MHz  |                                |
| <b>Number of Available Channels</b>   | Legacy : 0~79 (1 MHz/CH)<br>BLE : 0~39 (2 MHz/CH)   |                                |
| <b>Data Rates and Throughput</b>  | Legacy : 3 Mbps data rate; throughput up to 2.17 Mbps<br>BLE : 1 Mbps data rate; throughput up to 0.2 Mbps<br>Legacy : Synchronous Connection Oriented links up to 3, 64 kbps, voice channels.<br>Legacy : Asynchronous Connection Less links 2178.1 kbps/177.1 kbps asymmetric (3-DH5) or 864 kbps symmetric (3-EV5) |                                |
| <b>Transmit Power</b>   | The Bluetooth® component shall operate as a Class II Bluetooth® device with a maximum transmit power of +9.5 dBm for BR and EDR.  |                                |
| <b>Power Consumption</b>  | Peak (Tx) 330 mW<br>Peak (Rx) 230 mW<br>Selective Suspend 17 mW   |                                |
| <b>Bluetooth® Software Supported Link Topology</b>                                  | Microsoft Windows Bluetooth® Software   |                                |
| <b>Power Management</b>   | Microsoft Windows ACPI, and USB Bus Support   |                                |
| <b>Certifications</b>   | FCC (47 CFR) Part 15C, Section 15.247 & 15.249  |                                |
| <b>Power Management Certifications</b>  | ETS 300 328, ETS 300 826<br>Low Voltage Directive IEC950<br>UL, CSA, and CE Mark  |                                |
| <b>Bluetooth Profiles Supported</b>   | BT4.1-ESR 5/6/7 Compliance<br>LE Link Layer Ping<br>LE Dual Mode<br>LE Link Layer<br>LE Low Duty Cycle Directed Advertising<br>LE L2CAP Connection Oriented Channels<br>Train Nudging & Interlaced Scan   |                                |

### Technical Specifications – Networking and Communications

|  |  |
|--|--|
|  | <p>BT4.2 ESR08 Compliance</p> <p>LE Secure Connection- Basic/Full</p> <p>LE Privacy 1.2 –Link Layer Privacy</p> <p>LE Privacy 1.2 –Extended Scanner Filter Policies</p> <p>LE Data Packet Length Extension</p> <p>FAX Profile (FAX)</p> <p>Basic Imaging Profile (BIP)2</p> <p>Headset Profile (HSP)</p> <p>Hands Free Profile (HFP)</p> <p>Advanced Audio Distribution Profile (A2DP)</p> <p>BT5.1</p> <p>ESR9/10 Compliance</p> <p>LE Advertisement Extensions</p> <p>Channel Selection Algo</p> <p>Limited High Duty Cycle Non-Connectable Advertising</p> <p>2Mbps LE</p> <p>LE Long Range</p> |
|--|--|

#### Realtek RTL8852AE 802.11ax 2x2 Wi-Fi + BT5.2 (802.11ax 2x2, supporting gigabit data rate\*)

**NOTE\*** Wi-Fi 5 or 6 is designed to support gigabit data rate when transferring files between two devices connected to the same router. Requires a wireless router, sold separately, that supports 80MHz and higher channels.

|                               |  |
|-------------------------------|--|
| <b>Wireless LAN Standards</b> | <p>IEEE 802.11a</p> <p>IEEE 802.11b</p> <p>IEEE 802.11g</p> <p>IEEE 802.11n</p> <p>IEEE 802.11ac</p> <p>IEEE 802.11ax</p> <p>IEEE 802.11d</p> <p>IEEE 802.11e</p> <p>IEEE 802.11h</p> <p>IEEE 802.11i</p> <p>IEEE 802.11k</p> <p>IEEE 802.11r</p> <p>IEEE 802.11v</p>  |
| <b>Interoperability</b>       | Wi-Fi CERTIFIED™ modules   |
| <b>Frequency Band</b>         | <p>802.11b/g/n/ax</p> <ul style="list-style-type: none"> <li>• 2.402 – 2.482 GHz</li> </ul> <p>802.11a/n/ac/ax</p> <ul style="list-style-type: none"> <li>• 4.9 – 4.95 GHz (Japan)</li> <li>• 5.15 – 5.25 GHz</li> <li>• 5.25 – 5.35 GHz</li> <li>• 5.47 – 5.725 GHz</li> <li>• 5.825 – 5.850 GHz</li> </ul>   |
| <b>Data Rates</b>             | <ul style="list-style-type: none"> <li>• 802.11b: 1, 2, 5.5, 11 Mbps</li> <li>• 802.11g: 6, 9, 12, 18, 24, 36, 48, 54 Mbps</li> <li>• 802.11a: 6, 9, 12, 18, 24, 36, 48, 54 Mbps</li> <li>• 802.11n: MCS 0 ~ MCS 15, (20MHz, and 40MHz)</li> <li>• 802.11ac : MCS0 ~ MCS9, (1SS, and 2SS) (20MHz, 40MHz &amp; 80MHz)</li> <li>• 802.11ax : MCS0 ~ MCS11, (1SS and 2SS) (20MHz, 40MHz, ,80MHz)</li> </ul> |
| <b>Modulation</b>             | <p>Direct Sequence Spread Spectrum</p> <p>BPSK, QPSK, CCK, 16-QAM, 64-QAM, 256-QAM, 1024QAM</p>  |
| <b>Security<sup>3</sup></b>   | <ul style="list-style-type: none"> <li>• IEEE and Wi-Fi CERTIFIED™ 64 / 128 bit WEP encryption for a/b/g mode only</li> <li>• AES-CCMP: 128 bit in hardware</li> <li>• 802.1x authentication</li> </ul>  |

### Technical Specifications – Networking and Communications

|   |   |                                |
|---|---|--------------------------------|
|   | <ul style="list-style-type: none"> <li>• WPA, WPA2: 802.1x. WPA-PSK, WPA2-PSK, TKIP, and AES.</li> <li>• WPA2 certification</li> <li>• WPA3 certification</li> <li>• IEEE 802.11i</li> <li>• WAPI</li> </ul>  |                                |
| <b>Network Architecture Models</b>  | Ad-hoc (Peer to Peer)<br>Infrastructure (Access Point Required)   |                                |
| <b>Roaming</b>  | IEEE 802.11 compliant roaming between access points   |                                |
| <b>Output Power<sup>2</sup></b>   | <ul style="list-style-type: none"> <li>• 802.11b : +18.5dBm minimum</li> <li>• 802.11g : +17.5dBm minimum</li> <li>• 802.11a : +18.5dBm minimum</li> <li>• 802.11n HT20(2.4GHz) : +15.5dBm minimum</li> <li>• 802.11n HT40(2.4GHz) : +14.5dBm minimum</li> <li>• 802.11n HT20(5GHz) : +15.5dBm minimum</li> <li>• 802.11n HT40(5GHz) : +14.5dBm minimum</li> <li>• 802.11ac VHT80(5GHz) : +11.5dBm minimum</li> <li>• 802.11ax HE40(2.4GHz) : +10dBm minimum</li> <li>• 802.11ax HE80(5GHz) : +10dBm minimum</li> </ul> |                                |
| <b>Power Consumption</b>  | <ul style="list-style-type: none"> <li>• Transmit mode:2.5 W</li> <li>• Receive mode:2 W</li> <li>• Idle mode (PSP) 180 mW (WLAN Associated)</li> <li>• Idle mode :50 mW (WLAN unassociated)</li> <li>• Connected Standby/Modern Standby: 10mW</li> <li>• Radio disabled: 8 mW</li> </ul>   |                                |
| <b>Power Management</b>   | ACPI and PCI Express compliant power management<br>802.11 compliant power saving mode   |                                |
| <b>Receiver Sensitivity<sup>3</sup></b>   | <ul style="list-style-type: none"> <li>• 802.11b, 1Mbps: -93.5dBm maximum</li> <li>• 802.11b, 11Mbps: -84dBm maximum</li> <li>• 802.11a/g, 6Mbps: -86dBm maximum</li> <li>• 802.11a/g, 54Mbps: -72dBm maximum</li> <li>• 802.11n, MCS07: -67dBm maximum</li> <li>• 802.11n, MCS15: -64dBm maximum</li> <li>• 802.11ac, MCS0: -84dBm maximum</li> <li>• 802.11ac, MCS9: -59dBm maximum</li> <li>• 802.11ax, MCS11(HE40): -57dBm maximum</li> <li>• 802.11ax, MCS11(HE80): -54dBm maximum</li> </ul>                      |                                |
| <b>Antenna type</b>   | High efficiency antenna with spatial diversity, mounted in the display enclosure<br>Two embedded dual band 2.4/5 GHz antennas are provided to the card to support WLAN MIMO communications and Bluetooth communications   |                                |
| <b>Form Factor</b>  | PCI-Express M.2 MiniCard  |                                |
| <b>Dimensions</b>   | 1. Type 2230: 2.3 x 22.0 x 30.0 mm<br>2. Type 1216: 1.67 x 12.0 x 16.0 mm   |                                |
| <b>Weight</b>   | 1. Type 2230: 2.8g<br>2. Type 126: 1.3g   |                                |
| <b>Operating Voltage</b>  | 3.3v +/- 9%   |                                |
| <b>Temperature</b>  | Operating   | 14° to 158° F (-10° to 70° C)  |
|   | Non-operating   | -40° to 176° F (-40° to 80° C) |
| <b>Humidity</b>   | Operating   | 10% to 90% (non-condensing)    |
|   | Non-operating   | 5% to 95% (non-condensing)     |
| <b>Altitude</b>   | Operating   | 0 to 10,000 ft (3,048 m)       |
|   | Non-operating   | 0 to 50,000 ft (15,240 m)      |
| <b>LED Activity</b>   | LED Amber – Radio OFF; LED OFF – Radio ON   |                                |
| <b>HP Integrated Module with Bluetooth® 4.0/4.1/4.2/5.0/5.1/5.2 Wireless Technology</b> |   |                                |



### Technical Specifications – Networking and Communications

|  |  |
|--|--|
| <b>Bluetooth® Specification</b>                    | 4.0/4.1/4.2/5.0/5.1/5.2 Compliant  |
| <b>Frequency Band</b>                              | 2402 to 2480 MHz   |
| <b>Number of Available Channels</b>                | Legacy: 0~79 (1 MHz/CH)<br>BLE: 0~39 (2 MHz/CH)  |
| <b>Data Rates and Throughput</b>                   | Legacy: 3 Mbps data rate; throughput up to 2.17 Mbps<br>BLE: 1 Mbps data rate; throughput up to 0.2 Mbps<br>Legacy: Synchronous Connection Oriented links up to 3, 64 kbps, voice channels<br>Legacy: Asynchronous Connection Less links 2178.1 kbps/177.1 kbps asymmetric (3-DH5) or 864 kbps symmetric (3-EV5)   |
| <b>Transmit Power</b>                              | The Bluetooth® component shall operate as a Class II Bluetooth® device with a maximum transmit power of +4 dBm for BR and EDR.   |
| <b>Power Consumption</b>                           | Peak (Tx) 330 mW<br>Peak (Rx) 230 mW<br>Selective Suspend 17 mW  |
| <b>Bluetooth® Software Supported Link Topology</b> | Microsoft Windows Bluetooth® Software  |
| <b>Power Management</b>                            | Microsoft Windows ACPI, and USB Bus Support  |
| <b>Certifications</b>                              | FCC (47 CFR) Part 15C, Section 15.247 & 15.249   |
| <b>Power Management Certifications</b>             | ETS 300 328, ETS 300 826<br>Low Voltage Directive IEC950<br>UL, CSA, and CE Mark   |
| <b>Bluetooth Profiles Supported</b>                | BT4.1-ESR 5/6/7 Compliance<br>LE Link Layer Ping<br>LE Dual Mode<br>LE Link Layer<br>LE Low Duty Cycle Directed Advertising<br>LE L2CAP Connection Oriented Channels<br>Train Nudging & Interlaced Scan<br>BT4.2 ESR08 Compliance<br>LE Secure Connection- Basic/Full<br>LE Privacy 1.2 –Link Layer Privacy<br>LE Privacy 1.2 –Extended Scanner Filter Policies<br>LE Data Packet Length Extension<br>FAX Profile (FAX)<br>Basic Imaging Profile (BIP)2<br>Headset Profile (HSP)<br>Hands Free Profile (HFP)<br>Advanced Audio Distribution Profile (A2DP)<br>BT5.1<br>ESR9/10 Compliance<br>LE Advertisement Extensions<br>Channel Selection Algo<br>Limited High Duty Cycle Non-Connectable Advertising<br>2Mbps LE<br>LE Long Range |

### Technical Specifications – Input/Output Devices

#### I/O DEVICES

| <b>HP Wired Desktop 320K Keyboard</b> |   |  |
|---------------------------------------|---|--|
| <b>Physical Characteristics</b>       | Keys  | 104, 105, 107, 109 layout (depending on country) |
|                                       | Dimensions (L x W x H)  | 16.77 x 4.36 x 0.65 in (426.2 x 110.9 x 16.7 mm) |
|                                       | Weight  | 14.57 oz (413g)                                  |
|                                       | Cable length  | 6 ft. (1.8 m)                                    |
| <b>Electrical</b>                     | Operating voltage   | 5V   |
|                                       | Power consumption   | 50mA - 100 mA                                    |
|                                       | System interface  | USB  |
| <b>Mechanical</b>                     | Keycaps   | Low-profile design                               |
|                                       | Switch actuation  | 60±10g nominal peak force with tactile feedback  |
|                                       | Switch life   | 10 million keystrokes (Life tester)              |
|                                       | Switch type   | Plunger  |
| <b>Environmental</b>                  |   |  |
|                                       | Operating temperature   | 50° to 122° F (10° to 50° C)                     |
|                                       | Non-operating temperature   | -22° to 149° F (-30° to 65° C)                   |
|                                       | Operating humidity  | 10% to 90% (non-condensing at ambient)           |
|                                       | Non-operating humidity  | 0% to 90% (non-condensing at ambient)            |
| <b>Approvals</b>                      | FCC, ICES, CULus, CE, GS, EAC, Ukraine, India BIS, KCC, RCM, BSMI, VCCI |  |
| <b>Ergonomic compliance</b>           | TUVGS   |  |
| <b>Kit contents</b>                   | Keyboard, QSP, Warranty Card, Product Notice                            |  |

| <b>HP USB Premium Keyboard</b>  |                         |  |
|---------------------------------|-------------------------|--|
| <b>Physical Characteristics</b> | Keys                    | 104, 105 layout (depending upon country)             |
|                                 | Dimensions (L x W x H)  | 17.04 x 5.55 x 0.52 in (433 x 141 x 13.2 mm)         |
|                                 | Weight                  | 1.54 lb. (698g)                                      |
| <b>Electrical</b>               | Operating voltage       | 5 VDC, +/-5%   |
|                                 | Power consumption       | 35mA (All LED on)                                    |
|                                 | System interface        | USB Type A plug connector                            |
|                                 | ESD                     | Contact Discharge: 8 KV Air Discharge: 15 KV         |
|                                 | EMI - RFI               | Conforms to FCC rules for a Class B computing device |
|                                 | Microsoft® PC 99 - 2001 | Functionally compliant                               |
| <b>Mechanical</b>               | Keycaps                 | Low-profile design                                   |
|                                 | Switch actuation        | 60±10g nominal peak force with tactile feedback      |

### Technical Specifications – Input/Output Devices

|                             |  |   |
|-----------------------------|--|---|
|                             | Switch life                                    | 10 million keystrokes (Life tester)           |
|                             | Switch type                                    | Contamination-resistant switch membrane       |
|                             | Key-leveling mechanisms                        | For all double-wide and greater-length keys   |
|                             | Cable length                                   | 6 ft. (1.8 m)                                 |
|                             | Microsoft PC 99 - 2001                         | Mechanically compliant                        |
| <b>Environmental</b>        | Acoustics                                      | 43-dBA maximum sound pressure level           |
|                             | Operating temperature                          | 50° to 122° F (10° to 50° C)                  |
|                             | Non-operating temperature                      | -22° to 140° F (-30° to 60° C)                |
|                             | Operating humidity                             | 10% to 90% (non-condensing at ambient)        |
|                             | Non-operating humidity                         | 20% to 80% (non-condensing at ambient)        |
|                             | Operating shock                                | 40 g, six surfaces                            |
|                             | Non-operating shock                            | 80 g, six surfaces                            |
|                             | Operating vibration                            | 2-g peak acceleration                         |
|                             | Non-operating vibration                        | 4-g peak acceleration                         |
|                             | Drop (out of box)                              | 26 in (66 cm) on carpet, six-drop sequence    |
|                             | Drop (in box)                                  | 30 in (76.2 cm) on concrete, 16-drop sequence |
| <b>Approvals</b>            | UL, FCC, CE Mark, TUV GS, VCCI, BSMI, RCM, KCC |   |
| <b>Ergonomic compliance</b> | TUVGS  |   |
| <b>Kit contents</b>         | Keyboard, QSP                                  |   |
| <b>Warranty Card</b>        | Product Notice                                 |   |

|                                    |  |   |
|------------------------------------|--|---|
| <b>HP Wired Desktop 320M Mouse</b> |  |   |
| <b>Dimensions (H x L x W)</b>      | 4.08 x 2.49 x 1.39 in (103.8 x 63.4 x 35.5 mm) |   |
| <b>Weight</b>                      | 2.67 oz (75.8 g)                               |   |
| <b>Mechanical</b>                  | Connector                                      | USB   |
|                                    | Resolution                                     | 1000 DPI  |
|                                    | Sensor   | Optical Red Sensor  |
| <b>Tracking speed</b>              | Tracking acceleration                          | 8G(max), 1G=9.8m/s <sup>2</sup>   |
|                                    | Cable length                                   | 6 ft. (1.8 m)   |
|                                    | Color  | Jack Black  |
| <b>Regulatory approvals</b>        | Compliant                                      | FCC, ICES, CULus, CE, GS, EAC, Ukraine. India BIS, KCC, RCM, BSMI, VCCI |

### Technical Specifications – Input/Output Devices

| <b>HP USB Premium Mouse</b>   |  |  |
|-------------------------------|--|--|
| <b>Dimensions (H x L x W)</b> | 4.21 x 2.64 x 1.52 in (107 x 67 x 38.7 mm) |  |
| <b>Weight</b>                 | 0.19lb (90g)                               |  |
| <b>Environmental</b>          | Operating temperature                      | 50° to 122°F (10° to 50° C)                    |
|                               | Non-operating temperature                  | -22° to 140°F (-30° to 60° C)                  |
|                               | Operating humidity                         | 10% to 90% (non-condensing at ambient)         |
|                               | Non-operating humidity                     | 20% to 80% (non-condensing at ambient)         |
|                               | Operating shock                            | 50 g, 6 surfaces                               |
|                               | Non-operating shock                        | 80 g, 6 surfaces                               |
|                               | Operating vibration                        | 2 g peak acceleration                          |
|                               | Non-operating vibration                    | 4 g peak acceleration                          |
| <b>Electrical</b>             | Operating voltage                          | 5 VDC, +/-5%                                   |
|                               | Power consumption                          | 12mA   |
| <b>Mechanical</b>             | Connector                                  | USB 2.0  |
|                               | Type                                       | 3D mouse (3 keys and wheel)                    |
|                               | Resolution                                 | 800, 1200, 1600 DPI                            |
|                               | Sensor                                     | Pixart PAN3606DL                               |
| <b>Tracking speed</b>         | Tracking acceleration                      | 8G(max), 1G=9.8m/s <sup>2</sup>                |
|                               | Cable length                               | 6 ft. (1.8 m)                                  |
|                               | Color                                      | Jack Black                                     |
| <b>Regulatory approvals</b>   | Compliant                                  | UL, FCC, CE Mark, TUV GS, VCCI, BSMI, RCM, KCC |

| <b>HP USB Mouse</b>           |                       |  |
|-------------------------------|-----------------------|--|
| <b>Dimensions (H x L x W)</b> | 37mm x 115mm x 62.9mm |  |
| <b>Weight</b>                 | 90 +10g/- 5 g         |  |
| <b>Color</b>                  | Black                 |  |
| <b>Connector</b>              | USB                   |  |
| <b>Mechanical</b>             | Resolution            | 800 DPI sensitivity                            |
|                               | Buttons               | Two primary buttons and clickable scroll wheel |

### Technical Specifications – Audio/Multimedia

#### AUDIO/MULTIMEDIA

##### HP EliteDesk 800 G8 Tower PC

|                            |  |
|----------------------------|--|
| Type                       | Integrated   |
| HD Stereo Codec            | Realtek ALC3205  |
| Audio I/O Ports            | Front: Headset connector supports a CTIA and OMTP style headset and is re-taskable as a Line-in, Line-out, Microphone-in or Headphone-out port                           |
| Internal Speaker Amplifier | 2W class D mono amplifier for the internal speaker only. External speakers must be powered   |
| Multi-streaming Capable    | Playback multi-streaming can be enabled in the audio control panel to allow independent audio streams to be sent to/from the front and rear jacks or integrated speaker. |
| Sampling                   | Independent sampling rates for DAC's and ADC's; supports resolutions from 16 to 24-bit; 44.1 kHz to 192 kHz for DAC and 44.1 kHz to 192 kHz for ADC                      |
| Wavetable Syntheses        | Yes - Uses OS soft wavetable   |
| Analog Audio               | Yes  |
| # of Channels on Line-Out  | Stereo (Left & Right channels)   |

##### HP EliteDesk 800 G8 Small Form Factor PC

|                            |  |
|----------------------------|--|
| Type                       | Integrated   |
| HD Stereo Codec            | Realtek ALC3205  |
| Audio I/O Ports            | Front: Headset connector supports a CTIA and OMTP style headset and is re-taskable as a Line-in, Line-out, Microphone-in or Headphone-out port                           |
| Internal Speaker Amplifier | 2W class D mono amplifier for the internal speaker only. External speakers must be powered   |
| Multi-streaming Capable    | Playback multi-streaming can be enabled in the audio control panel to allow independent audio streams to be sent to/from the front and rear jacks or integrated speaker. |
| Sampling                   | Independent sampling rates for DAC's and ADC's; supports resolutions from 16 to 24-bit; 44.1 kHz to 192 kHz for DAC and 44.1 kHz to 96 kHz for ADC                       |
| Wavetable Syntheses        | Yes - Uses OS soft wavetable   |
| Analog Audio               | Yes  |
| # of Channels on Line-Out  | Stereo (Left & Right channels)   |
| Internal Speaker           | Yes  |

##### HP EliteDesk 800 G8 Desktop Mini PC

|                            |  |
|----------------------------|--|
| Type                       | Integrated   |
| HD Stereo Codec            | Realtek ALC3205  |
| Audio I/O Ports            | combo audio jack with CTIA and OMTP headset support  |
| Internal Speaker Amplifier | 2W class D mono amplifier for the internal speaker only. External speakers must be powered   |
| Multi-streaming Capable    | Playback multi-streaming can be enabled in the audio control panel to allow independent audio streams to be sent to/from the front and rear jacks or integrated speaker. |
| Sampling                   | Independent sampling rates for DAC's and ADC's; supports resolutions from 16 to 24-bit; 44.1 kHz to 192 kHz for DAC and 44.1 kHz to 192 kHz for ADC                      |
| Wavetable Syntheses        | Yes - Uses OS soft wavetable   |
| Analog Audio               | Yes  |
| # of Channels on Line-Out  | Stereo (Left & Right channels)   |
| Internal Speaker           | Yes  |

### Technical Specifications – Audio/Multimedia

#### **HP EliteOne 800 G8 24 & 27 All-in-One**

##### **Bang & Olufsen Audio**

|                            |  |
|----------------------------|--|
| Type                       | Integrated   |
| HD Stereo Codec            | Realtek ALC3274  |
| Audio I/O Ports            | Side headset connector supports a CTIA/OMTP style headset and is re-taskable as a Line-in, Line-out, Microphone-in or Headphone-out port<br>All ports are 3.5mm and support stereo |
| Internal Speaker Amplifier | 5W per channel class D stereo amplifier for the internal speakers only   |
| Multi-streaming Capable    | Playback multi-streaming can be enabled in the audio control panel to allow independent audio streams to be sent to/from the front and rear jacks or integrated speakers.          |
| Sampling                   | Independent sampling rates for DAC's and ADC's; supports resolutions from 16 to 24-bit; 44.1 kHz to 192 kHz for DAC and 44.1 kHz to 192 kHz for ADC                                |
| Wavetable Syntheses        | Yes - Uses OS soft wavetable   |
| Analog Audio               | Yes  |
| # of Channels on Line-Out  | Stereo (Left & Right channels)   |
| Internal Speaker           | Yes - Stereo   |

### Technical Specifications – Integrated Webcam and Microphone

#### **INTEGRATED WEBCAM AND MICROPHONE**

##### Integrated Webcam and Microphone

Optional integrated 5 MP Full HD RGB webcam & microphone; maximum resolution of 2592 x 1944

Optional integrated 5 MP Full HD RGB dual-facing webcam with IR sensor (user-facing) & microphone; maximum resolution of 2592 x 1944

**NOTE:** All HP devices which carry the Bang & Olufsen brand are custom-tuned with Bang & Olufsen's acoustical engineers for precise sound experience in business use.

#### **INTEGRATED FINGERPRINT SENSOR**

**Sensor type:** Touch

**Fingerprint matching:** Performed on device

**Anti-Spoofing:** Yes

**Windows Hello Support:** Yes

**Encryption:** On sensor

**FIPS Compliant:** No

### Technical Specifications – Power

#### POWER

##### HP EliteDesk 800 G8 Tower PC

###### Unit Environment and Operating Conditions

|                                  |  |
|----------------------------------|--|
| Temperature Range                | Operating: 5°C ~35°C<br>Non-Operating: -40°C ~66°C   |
| Relative Humidity                | Operating 5% to 90% relative humidity at max inlet temperature<br>Non-Operating 5% to 90% relative humidity at max inlet temperature |
| Maximum Altitude (unpressurized) | Operating: 5000m<br>Non-operating: 50,000 ft. (15240 m)  |

##### HP EliteDesk 800 G8 SFF PC

###### Unit Environment and Operating Conditions

|                                  |  |
|----------------------------------|--|
| Temperature Range                | Operating: 5°C ~35°C<br>Non-Operating: -40°C ~66°C   |
| Relative Humidity                | Operating 5% to 90% relative humidity at max inlet temperature<br>Non-Operating 5% to 90% relative humidity at max inlet temperature |
| Maximum Altitude (unpressurized) | Operating: 5000m<br>Non-operating: 50,000 ft. (15240 m)  |

##### HP EliteDesk 800 G8 Desktop Mini PC (35W)

###### Unit Environment and Operating Conditions

|                                  |  |
|----------------------------------|--|
| Temperature Range                | Operating: 5°C ~35°C<br>Non-Operating: -40°C ~66°C   |
| Relative Humidity                | Operating 5% to 90% relative humidity at max inlet temperature<br>Non-Operating 5% to 90% relative humidity at max inlet temperature |
| Maximum Altitude (unpressurized) | Operating: 5000m<br>Non-operating: 50,000 ft. (15240 m)  |

##### HP EliteDesk 800 G8 Desktop Mini (65W)

###### Unit Environment and Operating Conditions

|                                  |  |
|----------------------------------|--|
| Temperature Range                | Operating: 5°C ~35°C<br>Non-Operating: -40°C ~66°C   |
| Relative Humidity                | Operating 5% to 90% relative humidity at max inlet temperature<br>Non-Operating 5% to 90% relative humidity at max inlet temperature |
| Maximum Altitude (unpressurized) | Operating: 5000m<br>Non-operating: 50,000 ft. (15240 m)  |



### Technical Specifications – Power

#### HP EliteOne 800 G8 24 & 27 All-in-One

##### Unit Environment and Operating Conditions

|                                     |  |
|-------------------------------------|--|
| Temperature Range                   | Operating: 5°C ~45°C<br>Non-Operating: -40°C ~66°C   |
| Relative Humidity                   | Operating 5% to 90% relative humidity at max inlet temperature<br>Non-Operating 5% to 90% relative humidity at max inlet temperature |
| Maximum Altitude<br>(unpressurized) | Operating: 5000m<br>Non-operating: 50,000 ft. (15240 m)  |

|  | DM  | SFF  | TWR  | AiO  |
|--|---|--|--|--|
| <b>External Power Supplies</b>                                 | 90W EPS, active PFC, 88% average efficiency at 115V & 89% at 230Vac<br>120W EPS, active PFC, 88% average efficiency at 115V & 89% at 230Vac<br>180W EPS, active PFC, 88% average efficiency at 115V & 89% at 230Vac | N/A  | N/A  | N/A  |
| <b>80 PLUS Gold</b>  | N/A   | N/A  | N/A  | N/A  |
| <b>80 PLUS Platinum</b>  | N/A   | 260W active PFC / 80 PLUS Platinum<br>90/92/89% efficient at 20/50/100% load (115V)<br>91/93/90% efficient at 20/50/100% load (230V) | 550W active PFC / 80 PLUS Platinum<br>260W active PFC / 80 PLUS Platinum<br>90/92/89% efficient at 20/50/100% load (115V)<br>91/93/90% efficient at 20/50/100% load (230V) | 210W active PFC / 80 PLUS Platinum<br>90/92/89% efficient at 20/50/100% load (115V)<br>91/93/90% efficient at 20/50/100% load (230V) |
| <b>Operating Voltage Range</b>                                 | 90Vac~264Vac  | 90Vac~264Vac   | 90Vac~264Vac   | 90Vac~264Vac   |
| <b>Rated Voltage Range</b>                                     | 100Vac~240Vac   | 100Vac~240Vac  | 100Vac~240Vac  | 100Vac~240Vac  |
| <b>Rated Line Frequency</b>                                    | 50HZ~60HZ   | 50HZ~60HZ  | 50HZ~60HZ  | 50HZ~60HZ  |
| <b>Operating Line Frequency</b>                                | 47HZ~63HZ   | 47HZ~63HZ  | 47HZ~63HZ  | 47HZ~63HZ  |
| <b>Rated Input Current</b>                                     |   |  |  |  |
| <b>Rated Input Current with Energy Efficient* Power Supply</b> | 90W ≤ 1.7A<br>120W ≤ 1.7A<br>180W ≤ 2.5A  | 260W Platinum ≤ 3.1A<br>350W Platinum ≤ 4A   | 260W Platinum ≤ 3.1A<br>350W Platinum ≤ 4A<br>550W Platinum ≤ 6.6A   | 210W ≤ 2.8A  |
| <b>DC Output</b>   | +19.5V  | +12V   | +12V   | +20V   |

### Technical Specifications – Power

|  | DM  | SFF   | TWR   | AiO   |
|--|---|---|---|---|
| <b>Current Leakage (NFPA 99: 2012)</b> | Less than 500 microamps of leakage current at 120 Vac with the ground wire disconnected, as required for Non-patient Electrical Appliances and Equipment used in a patient care facility or that contact patients in normal use. Per section 10.3.5.1.<br>Less than 100 microamps of leakage current at 120 Vac with the ground wire intact with normal polarity, as required for Non-patient Electrical Appliances and Equipment used in a patient care facility or that contact patients in normal use. Per section 10.3.5.1. | Less than 500 microamps of leakage current at 120 Vac with the ground wire disconnected, as required for Non-patient Electrical Appliances and Equipment used in a patient care facility or that contact patients in normal use. Per section 10.3.5.1.<br>Less than 100 microamps of leakage current at 120 Vac with the ground wire intact with normal polarity, as required for Non-patient Electrical Appliances and Equipment used in a patient care facility or that contact patients in normal use. Per section 10.3.5.1. | Less than 500 microamps of leakage current at 120 Vac with the ground wire disconnected, as required for Non-patient Electrical Appliances and Equipment used in a patient care facility or that contact patients in normal use. Per section 10.3.5.1.<br>Less than 100 microamps of leakage current at 120 Vac with the ground wire intact with normal polarity, as required for Non-patient Electrical Appliances and Equipment used in a patient care facility or that contact patients in normal use. Per section 10.3.5.1. | Less than 500 microamps of leakage current at 120 Vac with the ground wire disconnected, as required for Non-patient Electrical Appliances and Equipment used in a patient care facility or that contact patients in normal use. Per section 10.3.5.1.<br>Less than 100 microamps of leakage current at 120 Vac with the ground wire intact with normal polarity, as required for Non-patient Electrical Appliances and Equipment used in a patient care facility or that contact patients in normal use. Per section 10.3.5.1. |
| <b>Power Supply Fan</b>                | N/A   | 70mm variable speed   | 70mm variable speed   | N/A   |
| <b>Power cord length</b>               | 6.0 ft. (1.83 m)  | 6.0 ft. (1.83 m)  | 6.0 ft. (1.83 m)  | 6.0 ft. (1.83 m)  |
| <b>External Power Adapter</b>          | External power  | Internal power  | Internal power supply   | Internal power supply   |
| <b>Dimensions</b>                      | 90W: 127mm x 51mm x 30mm<br>120W: 138mm x 68.5mm x 25.4mm<br>180W: 165.5mm x 79mm x 25.4mm  | 165mm x 95mm x 73mm   | 165mm x 95mm x 73mm   | 110x110x26mm  |
| <b>Total Cord Length</b>               | 6.0 ft. (1.83 m)  | 6.0 ft. (1.83 m)  | 6.0 ft. (1.83 m)  | 6.0 ft. (1.83 m)  |

### Technical Specifications – Power

The power supply shall comply with harmonic input current requirements as detailed in EN61000-3-2 and JEIDA MITI standards. The harmonic input current requirements must be met under the following operating conditions:

Load Requirements: 50% and 100%

Input Voltage: 230Vac/50Hz.

For active power factor correction the power factor at 50% & 100% loads shall be greater than 0.9 over the entire nominal input voltage range (100-127VAC and 200-240VAC).

| Condition          | Standard Efficiency | 82/85/82% | 85/88/85% | 87/90/87% | 90/92/89% | Input Voltage |
|--------------------|---------------------|-----------|-----------|-----------|-----------|---------------|
| 10% of Rated Load  | -                   | 75%       | 81%       | 84%       | 86%       | 115Vac/60HZ   |
| 20% of Rated Load  | -                   | 82%       | 85%       | 87%       | 90%       | 115Vac/60HZ   |
| 50% of Rated Load  | -                   | 85%       | 88%       | 90%       | 92%       | 115Vac/60HZ   |
|                    | PF>0.9              | PF>0.9    | PF>0.9    | PF>0.9    | PF>0.95   |               |
| 100% of Rated Load | 70%                 | 82%       | 85%       | 87%       | 89%       | 115Vac/60HZ   |
|                    | PF>0.9              | PF>0.9    | PF>0.9    | PF>0.9    | PF>0.9    | 230Vac/50HZ   |

### Technical Specifications – Weights and Dimensions

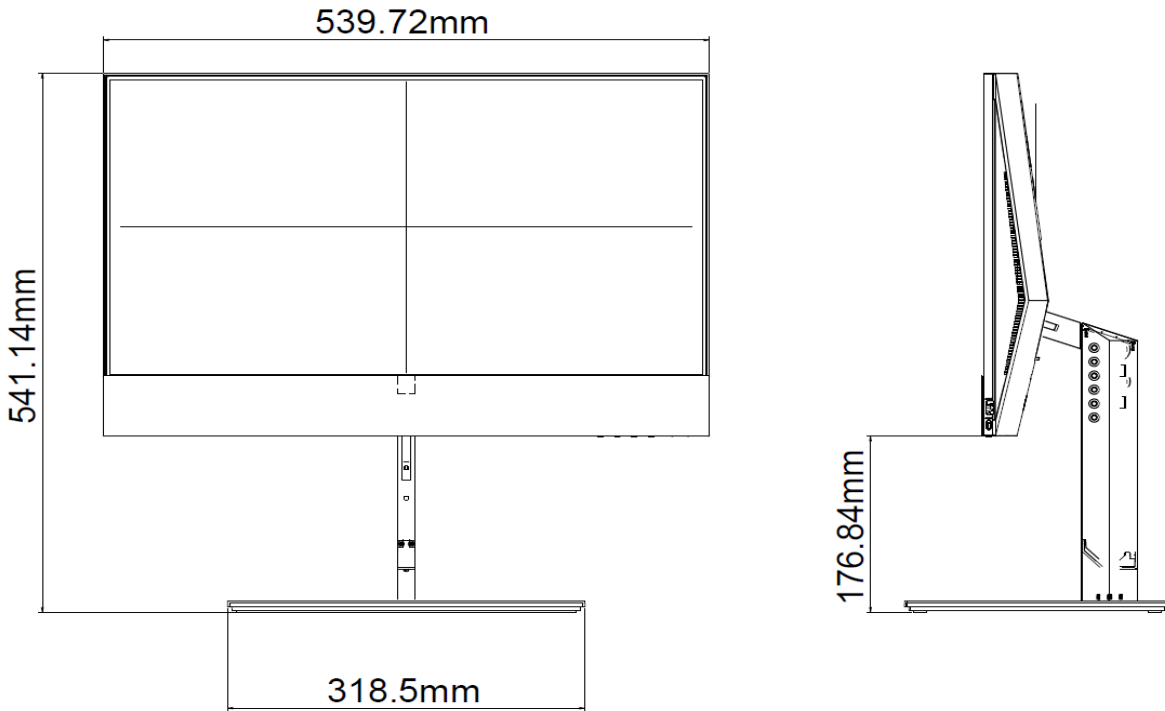
#### WEIGHTS & DIMENSIONS

|   | DM   | SFF  | TWR  | AiO  |
|---|--|--|--|--|
| <b>Chassis (W x D x H)</b>                        | 6.97 x 6.89 x 1.35 in<br>177 x 175 x 34 mm   | 13.3 x 12.13 x 3.94 in<br>338 x 308 x 100 mm   | 6.61 x 12.13 x 14.57 in<br>168 x 308 x 370 mm  | See table below.   |
| <b>System Volume</b>                              | 63.4 cu in<br>1.05L  | 63.4 cu in<br>10.4 L   | 1168 cu in<br>19.14 L  | See table below.   |
| <b>System Weight</b>                              | 3.13 lb<br>1.42 kg   | 13.5 lb<br>6.13 kg   | 13.11 lb<br>5.95 kg  | See table below.   |
| <b>Max Supported Weight (desktop orientation)</b> | 0  | 77 lb<br>35 kg   | 77 lb<br>35 kg   | See table below.   |
| <b>Stand Dimensions</b>                           | 160 x 117 x 18.5 mm  | 151.8 x 200 x 37.2mm   | N/A  | See table below.   |
| <b>Packaging (W x D x H)</b>                      | 19.6 x 5.2 x 9.3 in<br>498 x 132 x 235 mm  | 15.71 x 19.65 x 9.06 in<br>399 x 499 x 230 mm  | 11.77 x 18.82 x 20.35 in<br>299 x 478 x 517 mm   | See table below.   |
| <b>Shipping Weight</b>                            | 2.95 kg<br>6.49 lb   | 9 kg<br>19.82 lb   | 11.34 kg<br>24.98 lb   | See table below.   |
| <b>Multipack Packaging (10 units)</b>             | 20.28 x 16.54 x 25 in<br>515 x 420 x 636 mm  |  |  |  |
| <b>Palletization Profile</b>                      | 10-units per layer<br>10 layers max<br>100 units per pallet<br>46.3 x 39.2 x 57.7 in, 1175 x 996 x 2125 mm<br>(include pallet) | 6 units per layer<br>10 layers max<br>60 units per pallet<br>1200 x 1000 x 2438 mm<br>(include the pallet) | 8 units per layer<br>4 layers ax<br>32 units per pallet<br>1200 x 1000 x 2203 mm<br>(include the pallet) | 10-units per layer<br>4-layers max<br>40-units per pallet (sea)<br>1200 x 1000 x 2470 mm |

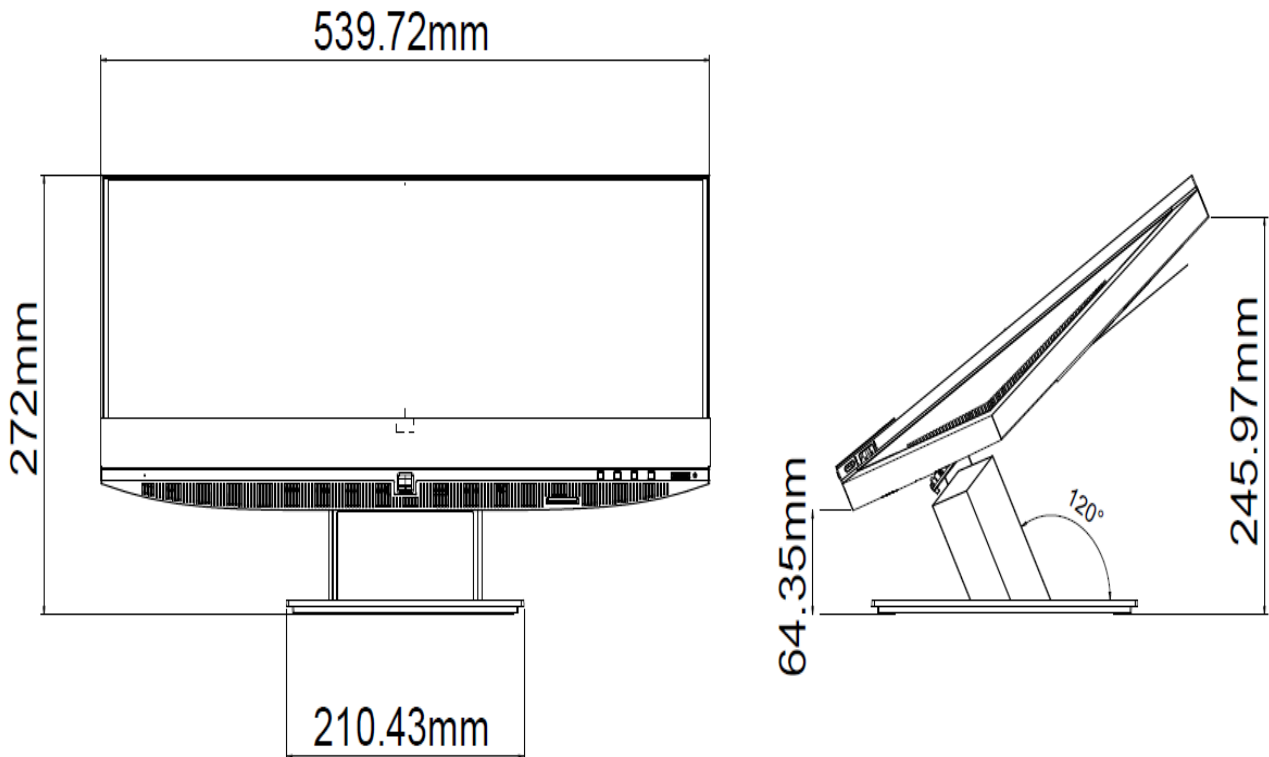
### Technical Specifications – Weights and Dimensions

#### STANDS AND DIMENSIONS

##### HP EliteOne G6 AIO Adjustable Height Stand – 23.8"

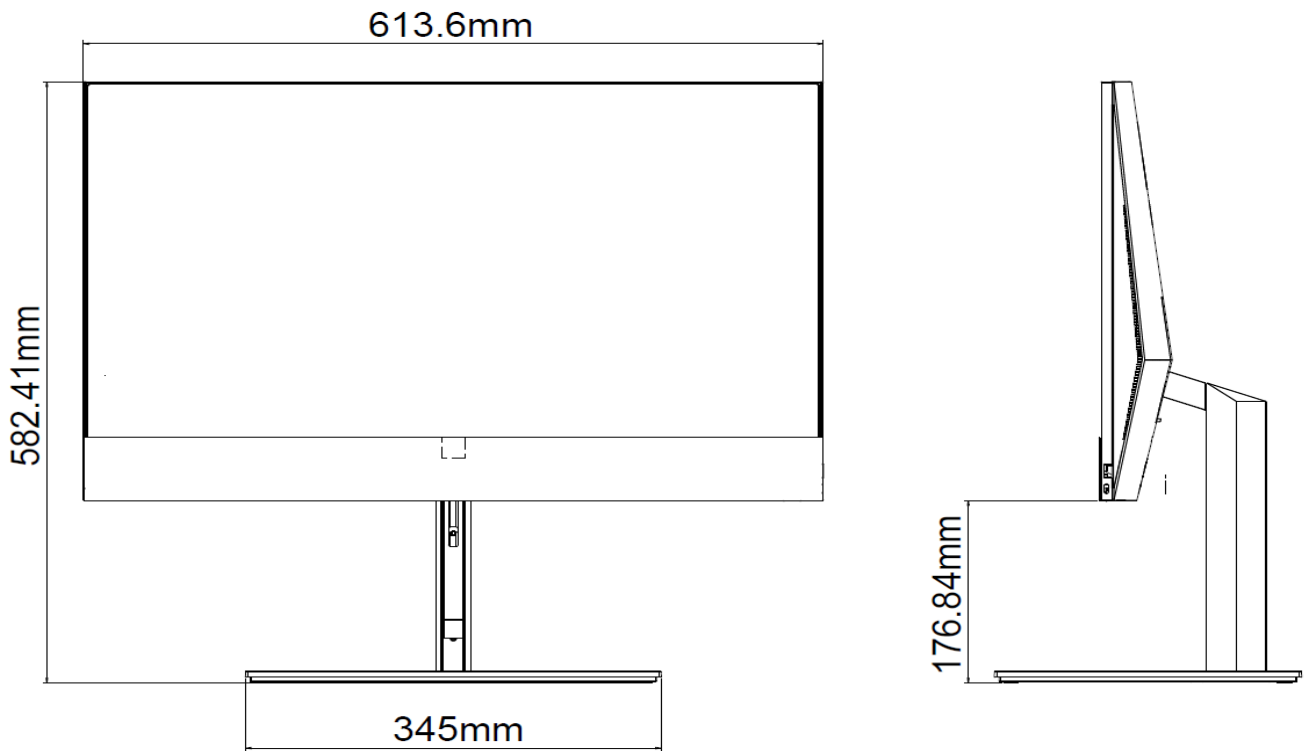


##### HP EliteOne G6 AIO Recline Stand – 23.8"



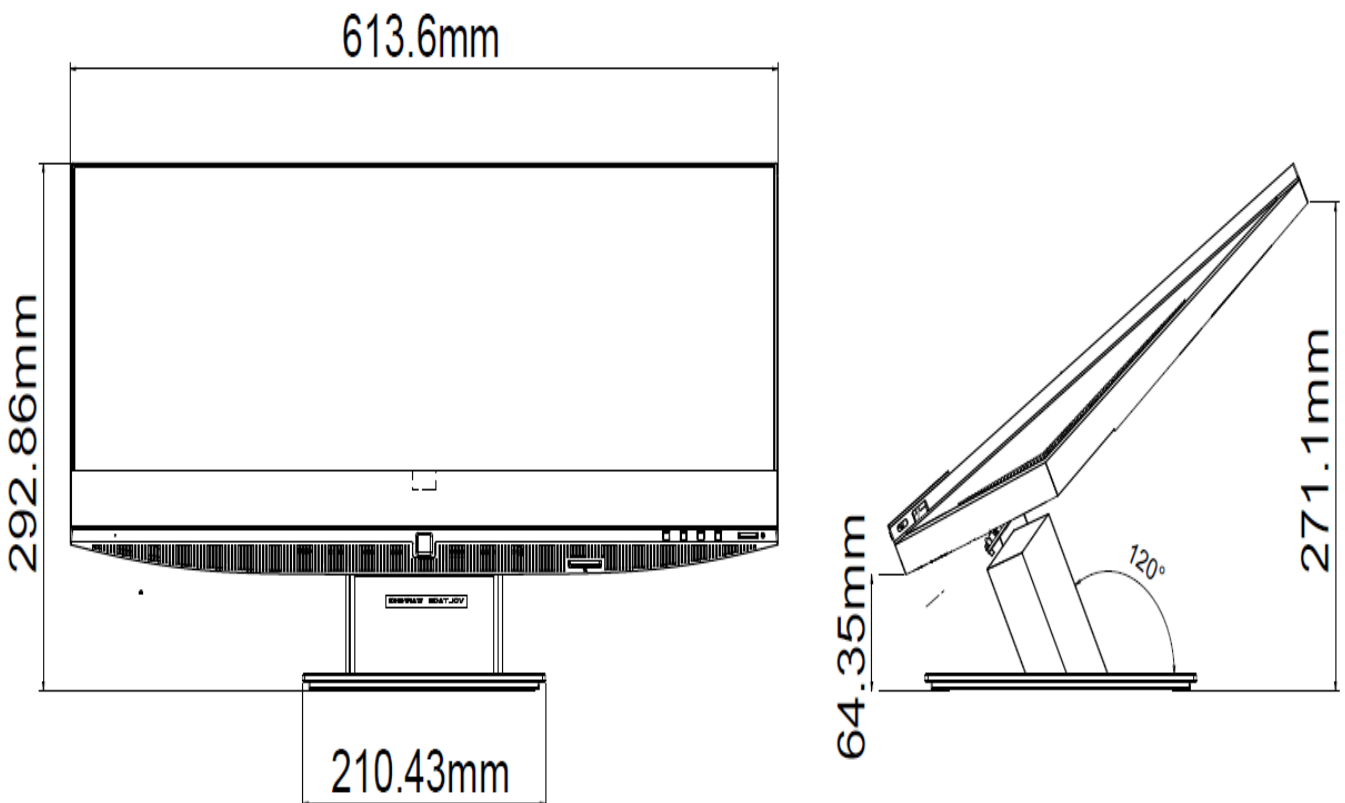
### Technical Specifications – Weights and Dimensions

#### HP EliteOne G6 AIO Adjustable Height Stand – 27"



b

#### HP EliteOne G6 AIO Recline Stand – 27"



### Technical Specifications – Weights and Dimensions

|                                 |  |   |
|---------------------------------|--|---|
| <b>Adjustable Height Stand:</b> | Height - Vertical/Landscape Adjustment | 130mm ( $\pm 2$ mm)                                     |
|                                 | Portrait Adjustment                    | No portrait   |
|                                 | Tilt Angle                             | -5° to +18° ( $\pm 2^\circ$ ) in landscape and portrait |
|                                 | Rotation (Swivel)                      | 90° ( $\pm 1^\circ$ ) (45 left, 45 right)               |
|                                 | Pivot                                  | No pivot  |

|                       |                              |                          |
|-----------------------|------------------------------|--------------------------|
| <b>Recline Stand:</b> | Height - Vertical Adjustment | No height                |
|                       | Tilt Angle                   | +36.5° to +58° (+/-1.5°) |
|                       | Rotation (swivel)            | No swivel                |

### Technical Specifications – Weights and Dimensions

#### ALL-IN-ONE WEIGHTS AND DIMENSIONS

##### Weight without Touch Panel – 23.8”

|  |   |   |  |
|--|---|---|--|
| <b>Product Weight Unboxed</b>            | Without Stand<br>15.12 lbs.<br>6.86 kg  | Adjustable Height Stand<br>20.46 lbs.<br>9.28 kg  | Recline Stand<br>18.83 lbs.<br>8.54 Kg   |
| <b>Shipping Weight Boxed</b>             | Without Stand<br>19.51 lbs.<br>8.85 kg  | Adjustable Height Stand<br>24.85 lbs.<br>11.27 kg | Recline Stand<br>23.08 lbs.<br>10.47 kg  |
| <b>Shipping Weight Pallet (30 units)</b> | Without Stand<br>623.7 lbs.<br>283.5 kg | Adjustable Height Stand<br>783.4 lbs.<br>356.1 kg | Recline Stand<br>730.62 lbs.<br>332.1 kg |

##### Weight with Touch Panel – 23.8”

|  |  |   |   |
|--|--|---|---|
| <b>Product Weight Unboxed</b>            | Without Stand<br>17.50 lbs.<br>7.94 kg   | Adjustable Height Stand<br>22.84 lbs.<br>10.36 kg | Recline Stand<br>21.21 lbs.<br>9.62 Kg  |
| <b>Shipping Weight Boxed</b>             | Without Stand<br>21.89 lbs.<br>9.93 kg   | Adjustable Height Stand<br>27.23 lbs.<br>12.35kg  | Recline Stand<br>25.46 lbs.<br>11.55 kg |
| <b>Shipping Weight Pallet (30 units)</b> | Without Stand<br>694.98 lbs.<br>315.9 kg | Adjustable Height Stand<br>854.7lbs.<br>388.5kg   | Recline Stand<br>801.9lbs.<br>364.5 kg  |

##### Dimensions (W x D x H) – 23.8”

|   |   |  |  |
|---|---|--|--|
| <b>Product Dimensions (Non-touch)</b>     | Without Stand<br>539.72 x 364.3 x 57.3 mm | Adjustable Height Stand (-5 ~ 20) degrees<br>539.72 x 541.14 x 236.98 mm | Recline Stand (30 ~ 60) degrees<br>539.72 x 379.44 x 209.35 mm |
| <b>Product Dimensions (In-cell Touch)</b> | Without Stand<br>539.72 x 364.3 x 59.3 mm | Adjustable Height Stand (-5 ~ 20) degrees<br>539.72 x 541.14 x 236.98 mm | Recline Stand (30 ~ 60) degrees<br>539.72 x 379.44 x 211.35 mm |

##### Shipping Dimensions – 23.8”

|   |                                       |   |                                       |
|---|---------------------------------------|---|---------------------------------------|
| <b>Shipping Dimensions Boxed</b>                    | Without Stand<br>628 x 186 x 635 mm   | Adjustable Height Stand<br>628 x 186 x 635 mm | Recline Stand<br>628 x 186 x 635 mm   |
| <b>Shipping Dimensions Pallet Pallet (40 units)</b> | Without Stand<br>1180 x 874 x 2060 mm | Adjustable Height<br>1180 x 874 x 2060 mm     | Recline Stand<br>1180 x 874 x 2060 mm |



### Technical Specifications – Weights and Dimensions

#### Weight without Touch Panel – 27”

|  |   |  |   |
|--|---|--|---|
| <b>Product Weight Unboxed</b>            | Without Stand<br>17.79 lbs.<br>8.07 kg  | Adjustable Height Stand<br>23.63 lbs.<br>10.72 kg  | Recline Stand<br>21.50 lbs.<br>9.75 Kg    |
| <b>Shipping Weight Boxed</b>             | Without Stand<br>23.70 lbs.<br>10.75 kg | Adjustable Height Stand<br>29.54 lbs.<br>13.4 kg   | Recline Stand<br>27.40 lbs.<br>12.43 kg   |
| <b>Shipping Weight Pallet (18 units)</b> | Without Stand<br>465.3 lbs.<br>211.5 kg | Adjustable Height Stand<br>570.24 lbs.<br>259.2 kg | Recline Stand<br>531.83 lbs.<br>241.74 kg |

#### Shipping Dimensions – 27”

|   |                                       |   |                                       |
|---|---------------------------------------|---|---------------------------------------|
| <b>Shipping Dimensions Boxed</b>                    | Without Stand<br>742 x 237 x 640 mm   | Adjustable Height Stand<br>742 x 237 x 640 mm | Recline Stand<br>742 x 237 x 640 mm   |
| <b>Shipping Dimensions Pallet Pallet (18 units)</b> | Without Stand<br>1180 x 958 x 2076 mm | Adjustable Height<br>1180 x 958 x 2076 mm     | Recline Stand<br>1180 x 958 x 2076 mm |

### Technical Specifications – Miscellaneous Features

#### MISCELLANEOUS FEATURES

##### Management Features

- Advanced Configuration and Power Management Interface (ACPI). Allows the system to wake from a low power mode. Controls system power consumption, making it possible to place individual cards and peripherals in a low-power or powered-off state without affecting other elements of the system.
- Intel® Wired for Management support; industry wide initiative to make Intel® architecture based PCs, servers and mobile computers more inherently manageable out-of-the-box and over the network
- Dual State Power Button; acts as both an on/off button and a suspend-to-sleep button

##### Serviceability Features

- Dual colored power LED on front of computer to indicate either normal or fault condition
- Diagnostic LED Explanation Table:
  - Power LED will blink red 2 to 5 times, then blink white 2 or more times, then repeat (with beep tones for each blink initially):
    - 2 red + 2 white User must provide file for BIOS recovery (USB storage typically)
    - 2 red + 3 white User must enter a key sequence to proceed with recovery by policy
    - 2 red + 4 white BIOS recovery is in progress
    - 3 red + 2 white Memory could not be initialized
    - 3 red + 3 white Graphics adaptor could not be found
    - 3 red + 4 white Power supply failure / not connected
    - 3 red + 5 white Processor not installed
    - 3 red + 6 white Current processor does not support an enabled feature
    - 4 red + 2 white Processor has exceeded its temperature threshold / system thermal shutdown
    - 4 red + 3 white System internal temperature has exceeded its threshold
    - 5 red + 2 white System controller firmware is not valid
    - 5 red + 3 white System controller detected BIOS is not executing
    - 5 red + 4 white BIOS could not complete initialization / PCA failure
    - 5 red + 5 white System controller rebooted the system after a health or recovery timer triggered
- HP PC Hardware Diagnostics UEFI:
  - This utility enables hardware level testing outside the operating system on many components. The diagnostics can be invoked by pressing F2 at POST, and is available as a download from HP Support
- System/Emergency ROM
- Flash ROM
- CMOS Battery Holder for easy replacement
- 1 Aux Power LED on System PCA
- Processor ZIF Socket for easy Upgrade
- Over-Temp Warning on Screen (Requires IM Agents)
- DIMM Connectors for easy Upgrade
- Clear CMOS Button
- NIC LEDs (integrated) (Green & Amber)
- Dual Color Power and HD LED - To Indicate Normal Operations and Fault Conditions
- Color coordinated cables and connectors
- Tool-less Hood Removal
- Front power switch
- System memory can be upgraded without removing the system board or any internal components
- Tool-less Hard Drive, CD & Diskette Removal (For MT, SFF, and DM only)
- Green Pull Tabs, and Quick Release Latches for easy Identification

### Technical Specifications – Miscellaneous Features

#### Additional Features

##### Tower Orientation

#### Description

Product can be oriented as either a desktop (horizontal) or a tower (vertical) for MT, SFF, and DM only. SFF/DM requires optional stand.

##### Drive Lock

Implementation of the industry standard ATA Security feature set. When enabled, it prevents software access to user data on the drive until one or two user-defined passwords are provided.

##### Boot Sectors Protection

MBR and GPT sectors of the hard drive are critical to booting the operating system. By saving the MBR or GPT data (depending on the how the OS was installed), the BIOS will be able to monitor for changes and allow the user to override them with the backup copy at boot-up.

##### Drive Protection System

DPS Access through F10 Setup during Boot (for SATA hard drive only)

A diagnostic hard drive self- test. It scans critical physical components and every sector of the hard drive for physical faults and then reports any faults to the user. Running independently of the operating system, it can be accessed through a Windows-based diagnostics utility or through the computer's setup procedure. It produces an evaluation on whether the hard drive is the source of the problem and needs to be replaced.

The system expands on the Self-Monitoring, Analysis, and Reporting Technology (SMART), a continuously running systems diagnostic that alerts the user to certain types of failures.

##### SMART Technology (Self-Monitoring, Analysis and Reporting Technology)

Allows hard drives to monitor their own health and to raise flags if imminent failures were predicted.

##### SMART I - Drive Failure Prediction

Predicts failures before they occur. Tracks fault prediction and failure indication parameters such as re-allocated sector count, spin retry count, calibration retry count.

##### SMART II - Off-Line Data Collection

By avoiding actual hard drive failures, SMART hard drives act as "insurance" against unplanned user downtime and potential data loss from hard drive failure.

##### SMART III - Off-Line Read Scanning with Defect Reallocation

IOEDC: I/O Error Detection Circuitry

##### SMART IV - End-to-End CRC for hard drives

Detects errors in Read/Write buffers on HDD cache RAM

### Technical Specifications – After Market Options

#### AFTER MARKET OPTIONS

| Graphics Solutions                          | <u>DM</u> | <u>SFF</u> | <u>TWR</u> | <u>AiO</u> | <u>Part Number</u> |
|---|-----------|------------|------------|------------|--------------------|
| AMD® Radeon™ RX 550X 4GB Display Port Card  |           | X          |            |            | 5LH79AA            |
| AMD® Radeon™ R7 430 2GB 2 Display Port Card |           | X          | X          |            | 5JW82AA            |
| AMD® Radeon™ R7 430 2GB DP+VGA Card         |           | X          | X          |            | 5JW81AA            |

| Desktop Mini Accessories  | <u>DM</u>                                      | <u>SFF</u> | <u>MT</u> | <u>AiO</u> | <u>Part Number</u> |
|---|--|------------|-----------|------------|--------------------|
| HP Desktop Mini Port Cover v3   | X<br>(95W and discrete GPU skus not supported) |            |           |            | 13L69AA            |
| HP Desktop Mini 2.5" SATA Drive Bay kit v2                            | X<br>(95W and discrete GPU skus not supported) |            |           |            | 13L70AA            |
| HP Desktop Mini 90W Power Supply Kit                                  | X  |            |           |            | L4R65AA            |
| HP Desktop Mini Lock Box V2   | X<br>(95W and discrete GPU skus not supported) |            |           |            | 3EJ57AA            |
| HP Desktop Mini DVD-Writer ODD Expansion Module                       | X (Either one)                                 |            |           |            | K9Q83AA            |
| HP Desktop Mini Security/Dual VESA Sleeve v3                          | X<br>(95W and discrete GPU skus not supported) |            |           |            | 13L67AA            |
| HP Desktop Mini Security/Dual VESA Sleeve v3 with Power Supply Holder | X<br>(95W and discrete GPU skus not supported) |            |           |            | 13L68AA            |
| HP B250 PC Mounting Bracket   | X  |            |           |            | 8RA46AA            |
| HP B300 PC Mounting Bracket   | X  |            |           |            | 2DW53AA            |
| HP B300 PC Mounting Bracket with Power Supply Holder                  | X<br>(95W and discrete GPU skus not supported) |            |           |            | 7DB37AA            |
| HP B500 PC Mounting Bracket   | X  |            |           |            | 2DW52AA            |
| HP Desktop Mini Vertical Chassis Stand                                | X  |            |           |            | G1K23AA            |
| HP DM Power Supply Holder Kit v2                                      | X<br>(95W and discrete GPU skus not supported) |            |           |            | 7DB38AA            |
| HP Quick Release Bracket 2  | X  |            |           | X          | 6KD15AA            |
| HP Single Monitor Arm   | X  |            |           | X          | BT861AA            |

| Data Storage Drives                   | <u>DM</u> | <u>SFF</u> | <u>TWR</u> | <u>AiO</u> | <u>Part Number</u> |
|---------------------------------------|-----------|------------|------------|------------|--------------------|
| HP PCIe NVME TLC M.2 256GB SSD        | X         | X          | X          | X          | 1CA51AA            |
| HP PCIe NVME TLC M.2 512GB SSD        | X         | X          | X          | X          | X8U75AA            |
| HP PCIe Gen 4 NVME TLC M.2 512GB SSD  | X         | X          | X          |            | 406L8AA            |
| HP PCIe Gen 4 NVME TLC M.2 1TB SSD    | X         | X          | X          |            | 406L7AA            |
| HP 500GB 7200PRM SATA 3.5" Hard Drive |           | X          | X          |            | QK554AA            |

### Technical Specifications – After Market Options

|                                     |  |   |   |  |         |
|-------------------------------------|--|---|---|--|---------|
| HP 1TB 7200rpm SATA 3.5" Hard Drive |  | X | X |  | QK555AA |
| HP SFF SATA DVD-Writer ODD          |  | X |   |  | 52D76AA |
| HP TWR SATA DVD-Writer ODD          |  |   | X |  | 52D77AA |

| <b>Input Devices</b>                                | <b>DM</b> | <b>SFF</b> | <b>TWR</b> | <b>AiO</b> | <b>Part Number</b> |
|---|-----------|------------|------------|------------|--------------------|
| HP Desktop Wired 320K Keyboard                      | X         | X          | X          | X          | 9SR37AA            |
| HP 125 Wired Keyboard                               | X         | X          | X          | X          | 266C9AA            |
| HP 225 Antimicrobial Wired Mouse and Keyboard Combo | X         | X          | X          | X          | 286K3AA            |
| HP 225 Wired Mouse and Keyboard Combo               | X         | X          | X          | X          | 286J4AA            |
| HP 125 Wired Mouse                                  | X         | X          | X          | X          | 265A9AA            |
| HP 128 Laser Wired Mouse                            | X         | X          | X          | X          | 265D9AA            |
| HP Wired Desktop 320K Keyboard                      | X         | X          | X          | X          | 9SR37AA            |
| HP Wired Desktop 320M Mouse                         | X         | X          | X          | X          | 9VA80AA            |
| HP Wired Desktop 320MK Mouse and Keyboard           | X         | X          | X          | X          | 9SR36AA            |
| HP USB Business Slim CCID SmartCard Keyboard        | X         | X          | X          | X          | Z9H48AA            |
| HP USB Keyboard and Mouse Healthcare Edition        | X         | X          | X          | X          | 1VD81AA            |
| HP USB Premium Keyboard                             | X         | X          | X          | X          | Z9N40AA            |
| HP USB PS/2 Washable Keyboard & Mouse               | X         | X          | X          | X          | BU207AA            |
| HP Wireless Business Slim Keyboard and Mouse        | X         | X          | X          | X          | T6L04AA            |
| HP Wireless Premium Keyboard                        | X         | X          | X          | X          | Z9N41AA            |
| HP PS/2 Business Slim Keyboard                      |           | X          | X          |            | N3R86AA            |
| HP USB Fingerprint Mouse                            | X         | X          | X          | X          | 4TS44AA            |
| HP USB Premium Mouse                                | X         | X          | X          | X          | 1JR32AA            |
| HP PS/2 Mouse                                       |           | X          | X          |            | QY775AA            |
| HP Wireless Premium Mouse                           | X         | X          | X          | X          | 1JR31AA            |

1. Not available in all regions

| <b>System Memory</b>     | <b>DM</b> | <b>SFF</b> | <b>TWR</b> | <b>AiO</b> | <b>Part Number</b> |
|--------------------------|-----------|------------|------------|------------|--------------------|
| HP 4GB DDR4-3200 UDIMM   |           | X          | X          |            | 13L78AA            |
| HP 8GB DDR4-3200 UDIMM   |           | X          | X          |            | 13L76AA            |
| HP 16GB DDR4-3200 UDIMM  |           | X          | X          |            | 13L74AA            |
| HP 32GB DDR4-3200 UDIMM  |           | X          | X          |            | 13L72AA            |
| HP 4GB DDR4-3200 SODIMM  | X         |            |            | X          | 13L79AA            |
| HP 8GB DDR4-3200 SODIMM  | X         |            |            | X          | 13L77AA            |
| HP 16GB DDR4-3200 SODIMM | X         |            |            | X          | 13L75AA            |
| HP 32GB DDR4-3200 SODIMM | X         |            |            | X          | 13L73AA            |

# QuickSpecs

## HP EliteDesk 800 G8 and HP EliteOne 800 G8 Desktops PCs

### Technical Specifications – After Market Options

| <b>Multimedia Devices</b> | <b><u>DM</u></b> | <b><u>SFF</u></b> | <b><u>TWR</u></b> | <b><u>AiO</u></b> | <b><u>Part Number</u></b> |
|---------------------------|------------------|-------------------|-------------------|-------------------|---------------------------|
| HP Business Headset v2    | X                | X                 | X                 | X                 | T4E61AA                   |
| HP S101 Speaker Bar       | X                | X                 | X                 |                   | 5UU40AA                   |

| <b>Security Devices</b>             | <b><u>DM</u></b> | <b><u>SFF</u></b> | <b><u>TWR</u></b> | <b><u>AiO</u></b> | <b><u>Part Number</u></b> |
|-------------------------------------|------------------|-------------------|-------------------|-------------------|---------------------------|
| HP Business PC Security Lock v3 Kit |                  | X                 | X                 | X                 | 3XJ17AA                   |
| HP Dual Head Keyed Cable Lock       |                  | X                 | X                 | X                 | T1A64AA                   |
| HP Keyed Cable Lock 10mm            | X                | X                 | X                 | X                 | T1A62AA                   |
| HP Master Keyed Cable Lock 10mm     | X                | X                 | X                 | X                 | T1A63AA                   |

| <b>Stands and Accessories</b>                    | <b><u>DM</u></b> | <b><u>SFF</u></b> | <b><u>TWR</u></b> | <b><u>AiO</u></b> | <b><u>Part Number</u></b> |
|--|------------------|-------------------|-------------------|-------------------|---------------------------|
| HP EliteOne 800 G6 23.8" Height Adjustable Stand |                  |                   |                   | X                 | 13L61AA                   |
| HP EliteOne 800 G6 23.8" Recline Stand           |                  |                   |                   | X                 | 13L62AA                   |
| HP EliteOne 800 G6 27" Height Adjustable Stand   |                  |                   |                   | X                 | 13L63AA                   |
| HP EliteOne 800 G6 27" Recline Stand             |                  |                   |                   | X                 | 13L64AA                   |

| <b>I/O Devices</b>  | <b><u>DM</u></b>                                  | <b><u>SFF</u></b> | <b><u>TWR</u></b> | <b><u>AiO</u></b> | <b><u>Part Number</u></b> |
|---|---|-------------------|-------------------|-------------------|---------------------------|
| HP DisplayPort Port Flex IO v2                              | X   | X                 | X                 |                   | 13L54AA                   |
| HP Type-C® USB 3.1 Gen2 Port Flex IO v2                     |   | X                 | X                 |                   | 13L59AA                   |
| HP USB 3.1 Gen1 x2 Module Flex IO v2                        | X<br>(Not Available on 95W and discrete GPU SKUs) | X                 | X                 |                   | 13L58AA                   |
| HP VGA Port Flex IO v2                                      | X   | X                 | X                 |                   | 13L53AA                   |
| HP Serial Port Flex IO v2                                   | X<br>(Not Available on 95W and discrete GPU SKUs) | X                 | X                 |                   | 13L56AA                   |
| HP Serial Port Flex IO 2 <sup>nd</sup> v2                   | X<br>(Not Available on 95W and discrete GPU SKUs) |                   |                   |                   | 13L57AA                   |
| HP Internal Serial Port (in rear wall)                      |   | X                 | X                 |                   | 3TK82AA                   |
| HP PCIe x1 Parallel Port Card                               |   | X                 | X                 |                   | N1M40AA                   |
| HP Serial/PS/2 Adapter Kit (in PCIe slot)                   |   | X                 | X                 |                   | 1VD82AA                   |
| HP USB to Serial Port Adapter                               | X   | X                 | X                 |                   | J7B60AA                   |
| HP USB-C to Display Port Adapter                            | X   | X                 | X                 |                   | N9K78AA                   |
| HP Single Mini Display Port Adapter to Display Port Adapter | X<br>(Only Available with GPU SKUs)               |                   |                   |                   | 2MY05AA                   |
| HP HDMI Standard Cable Kit                                  | X   | X                 | X                 |                   | T6F94AA                   |
| HP DisplayPort Cable Kit                                    | X   | X                 | X                 |                   | VN567AA                   |
| HP DisplayPort To VGA Adapter                               | X   | X                 | X                 |                   | AS615AA                   |



### Technical Specifications – After Market Options

|                                 |   |   |   |  |         |
|---------------------------------|---|---|---|--|---------|
| HP DisplayPort To DVI-D Adapter | X | X | X |  | FH973AA |
|---------------------------------|---|---|---|--|---------|

**NOTE:** For more detail on HP I/O Devices please refer to the [HP FLEX IO Option Cards QuickSpecs](http://h20195.www2.hp.com/v2/GetDocument.aspx?docname=c06042607). URL is: <http://h20195.www2.hp.com/v2/GetDocument.aspx?docname=c06042607>

| <b>Communication Devices</b>              | <b><u>DM</u></b> | <b><u>SFF</u></b> | <b><u>TWR</u></b> | <b><u>AiO</u></b> | <b><u>Part Number</u></b> |
|---|------------------|-------------------|-------------------|-------------------|---------------------------|
| Intel® Ethernet I225-T1 GbE NIC           |                  | X                 | X                 |                   | TBD                       |
| Intel Wi-Fi 6 AX200 ax 2x2 + BT5 non-vPro |                  | X                 | X                 |                   |                           |

| <b>Intel® Optane Memory</b>              | <b><u>DM</u></b> | <b><u>SFF</u></b> | <b><u>TWR</u></b> | <b><u>AiO</u></b> | <b><u>Part Number</u></b> |
|--|------------------|-------------------|-------------------|-------------------|---------------------------|
| 512GB Intel® Optane™ Memory H10 with SSD | X                | X                 | X                 | X                 | 6VF55AA                   |

### Change Log

© Copyright 2021 HP Development Company, L.P.

The information contained herein is subject to change without notice. The only warranties for HP products are set forth in the express limited warranty statements accompanying such products. Nothing herein should be construed as constituting an additional warranty. HP shall not be liable for technical or editorial errors or omissions contained herein. Microsoft and Windows are registered trademarks or trademarks of Microsoft Corporation in the U.S. and/or other countries. Intel, Celeron, Core, Pentium are registered trademarks or trademarks of Intel Corporation in the U.S. and/or other countries. Bluetooth® is a trademark of its proprietor, used by HP, Inc. under license. USB Type-C® and USB-C® are trademarks of USB Implementers Forum. NVIDIA, GeForce and NVS are trademarks and/or registered trademarks of NVIDIA Corporation in the U.S. and other countries. AMD and Radeon are trademarks of Advanced Micro Devices, Inc. ENERGY STAR is a registered trademark owned by the U.S. Environmental Protection Agency. DisplayPort™ and the DisplayPort™ logo are trademarks owned by the Video Electronics Standards Association (VESA®) in the United States and other countries.

| Date               | Version History | Action     | Description of Change   |
|--------------------|-----------------|------------|---|
| June 15, 2021      | From v1 to v2   | Removal    | HP Workwell removed from software section   |
| August 20, 2021    | From v2 to v3   | Removal    | HP Sure view mentions from display panel specifications   |
| August 26, 2021    | From v3 to v4   | Correction | NVIDIA® GeForce® RTX 3070 Graphics Card to 7680x4320@60Hz MAX. Res (HDMI)                           |
| September 23, 2021 | From v4 to v5   | Addition   | LHR and disclaimer by the end of RTX 3070 model description   |
| November 4, 2021   | From v5 to v6   | Update     | 1 CA52AA removed and replaced with 52D76AA and 52D77AA added in Data Storage Drives at Amo section. |
| December 9, 2021   | From v6 to v7   | Update     | Wi-fi 6 disclaimers updated.  |
| December 15, 2021  | From v6 to v7   | Update     | Windows 11 update   |
| December 16, 2021  | From v8 to v9   | Update     | TWR Environmental table updated   |
|                    | From v9 to v10  |            |   |